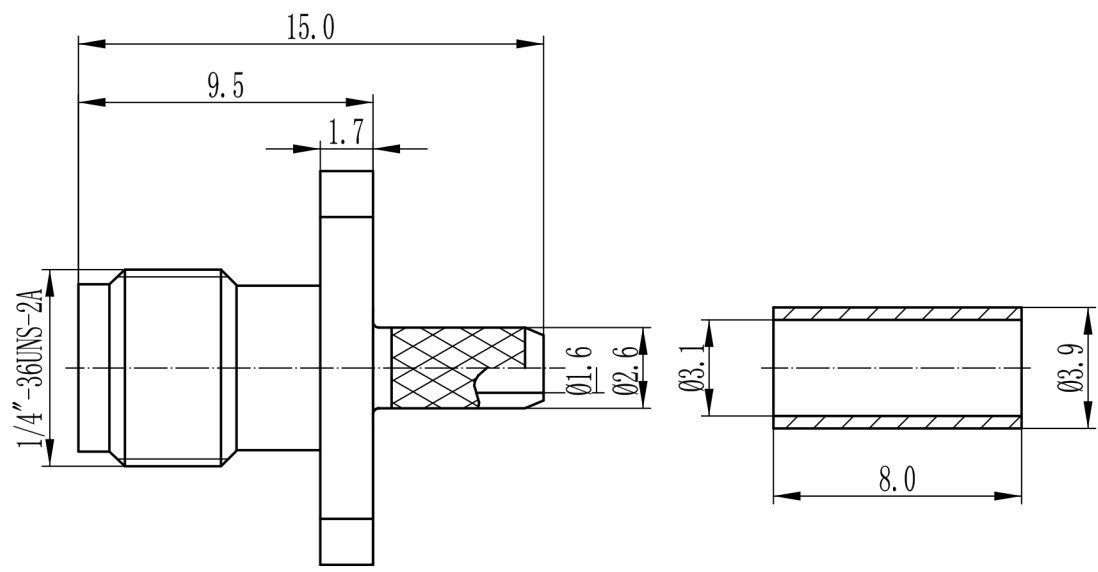
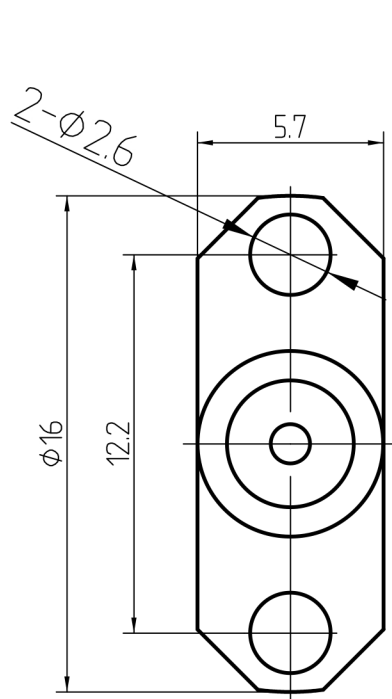


This document contains proprietary information and such information may not be disclosed to others for any purposes, not used for sales/marketing/procurement purposes without written permission

REV	DESCRIPTION OF REVISION	ECN NO.	BY	DATE	APPROVED
A	Initial Release	—	T.Haiyun	5/11/14	5/11/14




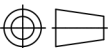
- 1 Electrical**
- 1.1 Impedence 50 Ω
  - 1.2 Frequency 0~6GHz
  - 1.2 Dielectric withstanding voltage 1000V(volts RMS)
  - 1.3 Center contact resistance ≤ 3M Ω
  - 1.4 Outer contact resistance ≤ 2M Ω
  - 1.5 Insulation resistance: ≥ 5000M Ω
  - 1.6 VSWR 1.3:1

- 2 Environmental&Mechanical**
- 2.1 Temperature range -45°C~85°C
  - 2.2 RoHs Compliant YES
  - 2.3 Durability >500 cycles

- 3 Materials&plating**
- 3.1 Body: Brass; Gold, plated
  - 3.2 Insulator: Teflon
  - 3.3 Contact Pin: Brass; Gold, plated

**Notes:**

- 1. ALL SPECIFICATIONS ARE SUBJECT TO CHANGE NOTICE AT ANY TIME
- 2. CUSTOMER OUTLINE DRAWING FOR REFERENCE ONLY

<b>DRAWN :</b> T.Haiyun 5/11/14 <b>ENGINEER:</b> C.Tao 5/11/14 <b>APPROVED :</b> W.Qiang 5/11/14 <b>TOLERANCES UNLESS OTHERWISE SPECIFIED</b> X ±0.50 .X ±0.20 .XX ±0.10 ANGLES ±1°	<b>TITLE:</b> <b>RF Coaxial Connector</b> <b>SMA Female Flange Connector</b> <b>RG316 Cable</b>	 <a href="http://www.rf-connector-china.com">www.rf-connector-china.com</a>  DIMENSION IN MILLIMETERS (mm)
<b>PART NO:</b> SMA-KF3B	<b>SIZE:</b> A4 <b>SCALE:</b> N/A <b>SHEET:</b> 1/1 <b>REV:</b> A	