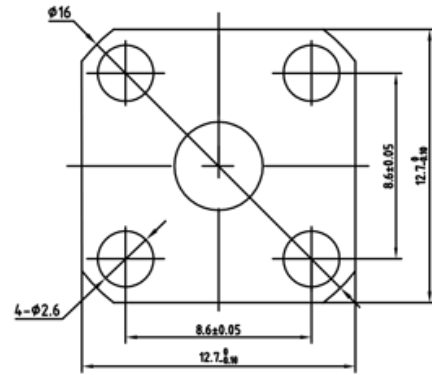
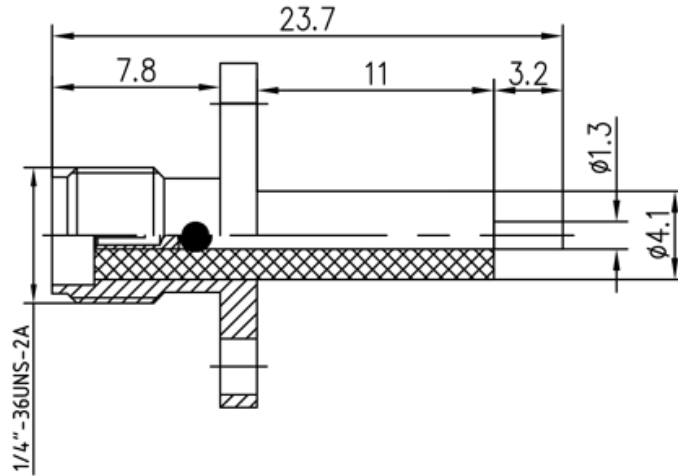


TR131013G

This document contains proprietary information and such information may not be disclosed to others for any purposes, nor used for sales/marketing/procurement purposes without written permission  
 本文件包含专有信息，没有书面许可，该信息不能以任何形式披露给第三方，也不能用于任何目的的买卖、销售及采购。

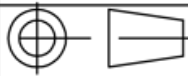


1 Electrical

- 1.1 Impedance:  $50\Omega$
- 1.2 Frequency: 0~18GHz
- 1.3 VSWR: 1.3 max
- 1.4 Working voltage:  $\leq 335V$
- 1.5 Insulation resistance:  $\geq 5000M\Omega$
- 1.6 Dielectric strength: 1000V
- 1.7 Contact resistance: Center contact  $\leq 3M\Omega$   
 Outer contact  $\leq 2.5M\Omega$

2 Material&Finish

- 2.1 Inner Contact: gold plated over Beryllium-copper.
- 2.2 Outer Contact: gold plated over brass.
- 2.3 Insulators: Teflon



Scale

1:1

Name

Date

Designed

Mike Du

23-Oct-13

Checked

Jason Cai

23-Oct-13

Approved

Rita Guo

23-Oct-13

SMA-KFD906  
 RF Coaxial Connector

UNLESS OTHERWISE SPECIFIED  
 DIMENSIONS ARE mm, TOLERANCES ARE:  
 FRACTIONS DECIMALS ANGLES  
 .X ± .15 ± 1°  
 .XX ± .05  
 .XXX ±



www.rf-connector-china.com