

This document contains proprietary information and such information may not be disclosed to others for any purposes, not used for sales/marketing/procurement purposes without written permission

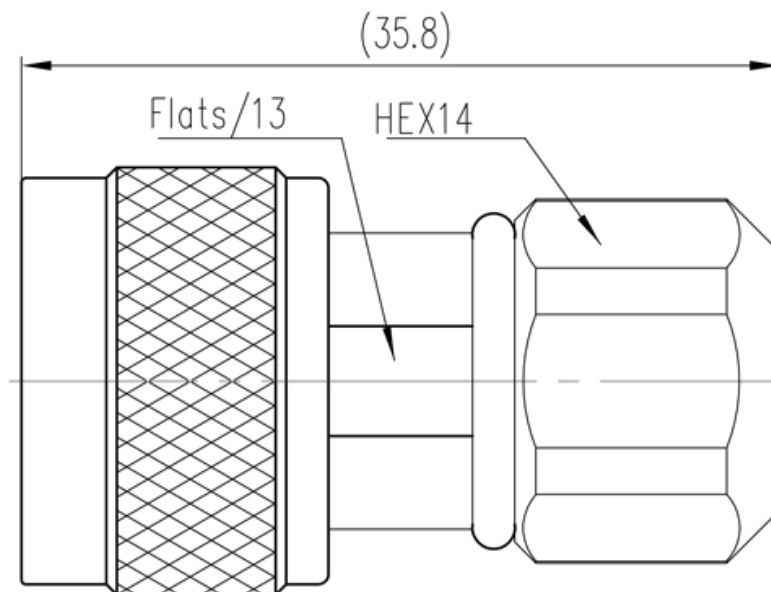
REV	DESCRIPTION OF REVISION	ECN NO.	BY	DATE	APPROVED
A	New Release	—	T.Shihua	08/08/15	08/08/15

### 1 电气性能

- |           |                  |
|-----------|------------------|
| 1.1 阻抗    | 50Ω              |
| 1.2 频率    | DC-6GHz          |
| 1.3 介质耐压  | 1500V(volts RMS) |
| 1.4 内导体电阻 | ≤ 1MΩ            |
| 1.5 外导体电阻 | ≤ 0.2MΩ          |
| 1.6 绝缘电阻  | ≥ 5000MΩ         |
| 1.7 驻波    | 1.25 max         |



### 2 材料及涂覆

- |           |        |
|-----------|--------|
| 2.1 外壳:   | 黄铜, 镀镍 |
| 2.2 绝缘体:  | Teflon |
| 2.3 内导体:  | 青铜, 镀金 |
| 2.4 连接螺套: | 黄铜, 镀镍 |



#### Notes:

- ALL SPECIFICATIONS ARE SUBJECT TO CHANGE NOTICE AT ANY TIME
- CUSTOMER OUTLINE DRAWING FOR REFERENCE ONLY

DRAWN: T.Shihua 08/08/15	TITLE: N-J5DA	 www.rf-connector-china.com
ENGINEER: C.Tao 08/08/15	N 公头 接RG142 电缆	
APPROVED: W.Qiang 08/08/15		
TOLERANCES UNLESS OTHERWISE SPECIFIED X ±0.50 .X ±0.20 .XX ±0.10 ANGLES ±1°		 DIMENSION IN MILLIMETERS (mm)
PART NO: TRL-NM-264678		SIZE: A4 SCALE: N/A SHEET: 1/1 REV: A