

This document contains proprietary information and such information may not be disclosed to others for any purposes, not used for sales/marketing/procurement purposes without written permission

REV	DESCRIPTION OF REVISION	ECN NO.	BY	DATE	APPROVED
A	Initial Release	—	T.Shihua	07/09/13	07/09/13

### 1 Electrical

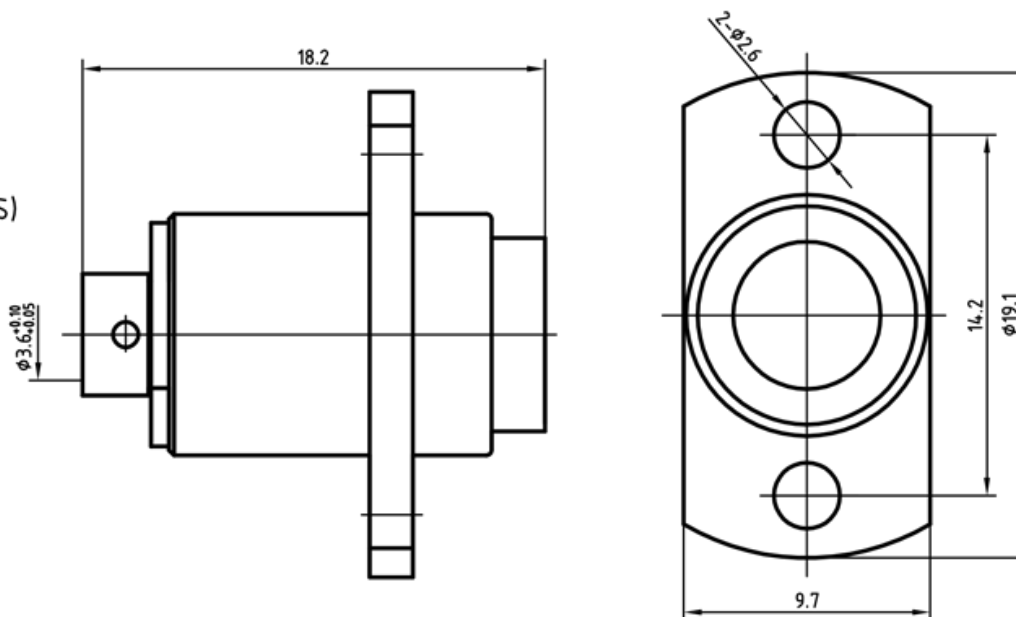
- 1.1 Impedance: 50Ω
- 1.2 Frequency range: DC-18GHz
- 1.3 Working voltage: ≤250V
- 1.4 Dielectric withstanding voltage: 750V(volts RMS)
- 1.5 Insulation resistance: ≥5000MΩ
- 1.6 Center contact resistance: ≤3MΩ
- 1.7 Outer contact resistance: ≤2MΩ

### 2 Environmental&Mechanical

- 2.1 Temperature range: -40℃~85℃
- 2.2 RoHs Compliant
- 2.3 Durability: 500 mating cycles



### 3 Materials&Finish

- 3.1 Body: Brass, gold plated
- 3.2 Insulator: Teflon
- 3.3 Contact Pin: Brass, Gold plated
- 3.4 Hex nut: Brass, gold plated
- 3.5 Gasket: Silicon Rubber
- 3.6 Washer: Phosphor bronze, gold plated



### Notes:

- 1. ALL SPECIFICATIONS ARE SUBJECT TO CHANGE NOTICE AT ANY TIME
- 2. CUSTOMER OUTLINE DRAWING FOR REFERENCE ONLY

DRAWN: T.Shihua 07/09/13	TITLE:	 <a href="http://www.rf-connector-china.com">www.rf-connector-china.com</a>
ENGINEER: C.Tao 07/09/13	BMA Female Flange Conn. For .141 cable	
APPROVED: W.Qiang 07/09/13		
TOLERANCES UNLESS OTHERWISE SPECIFIED X ±0.50 .X ±0.20 .XX ±0.10 ANGLES ±1°		 DIMENSION IN MILLIMETERS (mm)
PART NO: BMA-KFB3	SIZE: A4	SCALE: N/A
	SHEET: 1/1	REV: A