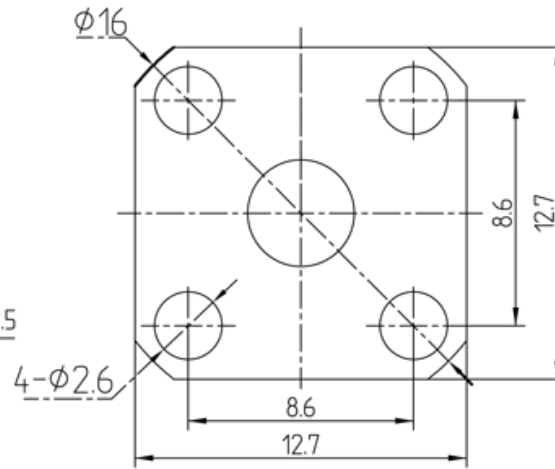
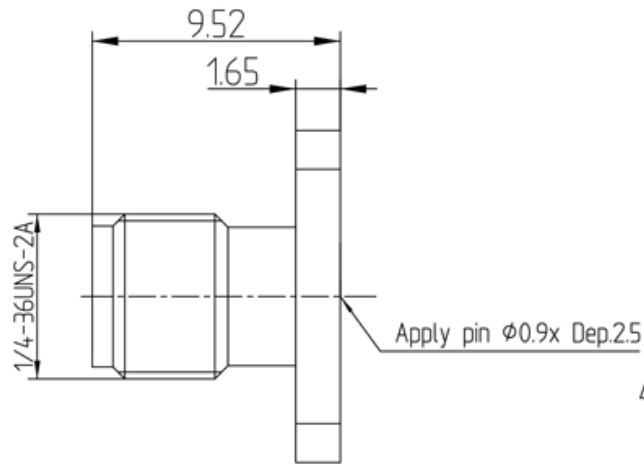
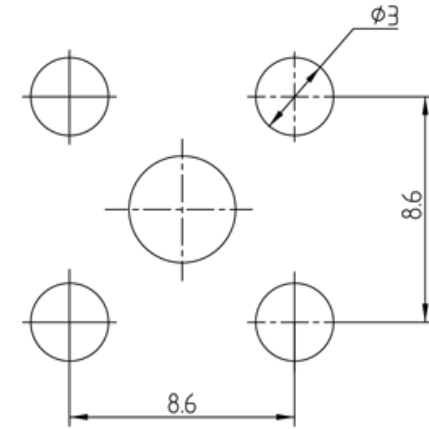


This document contains proprietary information and such information may not be disclosed to others for any purposes, not used for sales/marketing/procurement purposes without written permission

REV	DESCRIPTION OF REVISION	ECN NO.	BY	DATE	APPROVED
A	Initial Release	—	T. Haiyun	15/09/17	15/09/17



Recommended Mounting Hole



1 Electrical

- 1.1 Impedance 50 Ω
- 1.2 Frequency DC~18GHz
- 1.2 Dielectric withstanding voltage 1000V(volts RMS)
- 1.3 Center contact resistance ≤ 3MΩ
- 1.4 Outer contact resistance ≤ 2MΩ
- 1.5 Insulation resistance: ≥5000MΩ
- 1.6 VSWR 1.05+0.005f(GHz)

2 Environmental&Mechanical



- 2.1 Temperature range -45℃~125℃
- 2.2 RoHs Compliant
- 2.3 Durability >500 cycles

3 Materials&plating

- 3.1 Body: Stainless Steel, Passivated
- 3.2 Insulator: Teflon
- 3.3 Contact Pin: Beryllium-copper. Gold plated

Notes:

- 1. ALL SPECIFICATIONS ARE SUBJECT TO CHANGE NOTICE AT ANY TIME
- 2. CUSTOMER OUTLINE DRAWING FOR REFERENCE ONLY

DRAWN: T. Haiyun 15/09/17	TITLE: RF Coaxial Connector	 <a href="http://www.rf-connector-china.com">www.rf-connector-china.com</a>	
ENGINEER: C. Tao 15/09/17			
APPROVED: W. Qiang 12/07/08		 DIMENSION IN MILLIMETERS (mm)	
TOLERANCES UNLESS OTHERWISE SPECIFIED	SMA Female Flange Conn. for Dia. 0.9 Pin	PART NO: SMA-KFDO. 9G-A	
X +0.50		SIZE: A4	SCALE: N/A
X +0.20		SHEET: 1/1	REV: A
XX +0.10			
ANGLES ±1°			