

This document contains proprietary information and such information may not be disclosed to others for any purposes, not used for sales/marketing/procurement purposes without written permission

REV	DESCRIPTION OF REVISION	ECN NO.	BY	DATE	APPROVED
A	Initial Release	—	T. Shihua	12/7/06	12/7/06

1 Electrical

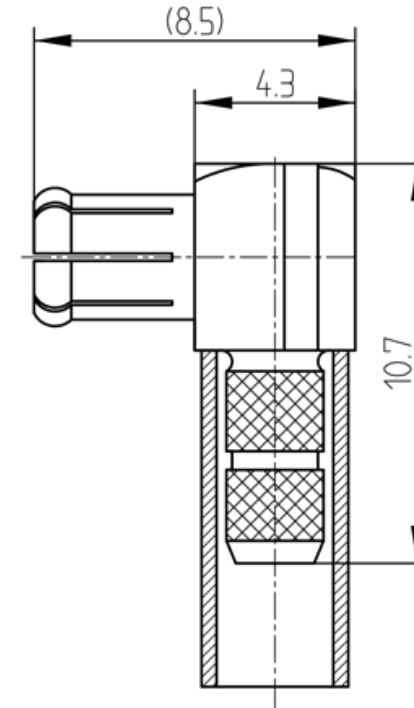
1.1 Impedence 50 Ω
 1.2 Frequency DC-6GHz
 1.3 VSWR 1.30:1

2 Environmental&Mechanical

2.1 Temperature range -45℃~125℃
 2.2 RoHs Compliant
 2.3 Durability >500 cycles



3 Materials&Finish

3.1 Body: Brass, Gold plated
 3.2 Insulator: Teflon
 3.3 Contact Pin: Brass, gold plated
 3.4 Contact spring: Beryllium copper, gold plated



Notes:

1. ALL SPECIFICATIONS ARE SUBJECT TO CHANGE NOTICE AT ANY TIME
2. CUSTOMER OUTLINE DRAWING FOR REFERENCE ONLY

DRAWN : T. Shihua 12/07/06 CHECKED : C. Tao 12/07/06 APPROVED : W. Qiang 12/07/06	TITLE: RF Coaxial Connector MCX male R/A Conn. For .R0316 cable	 www.trulal.com  DIMENSION IN MILLIMETERS (mm)
TOLERANCES UNLESS OTHERWISE SPECIFIED X ±0.50 X ±0.20 XX ±0.10 ANGLES ±1°	PART NO: MCX-JW3YB	SIZE: A4 SCALE: N/A SHEET: 1/1 REV: A