

This document contains proprietary information and such information may not be disclosed to others for any purposes, not used for sales/marketing/procurement purposes without written permission

REV	DESCRIPTION OF REVISION	ECN NO.	BY	DATE	APPROVED
A	Initial Release	—	T.Shihua	28/10/16	28/10/16

1 Electrical

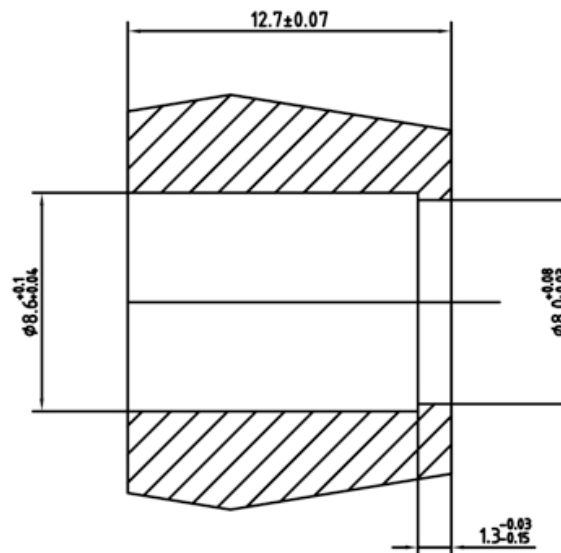
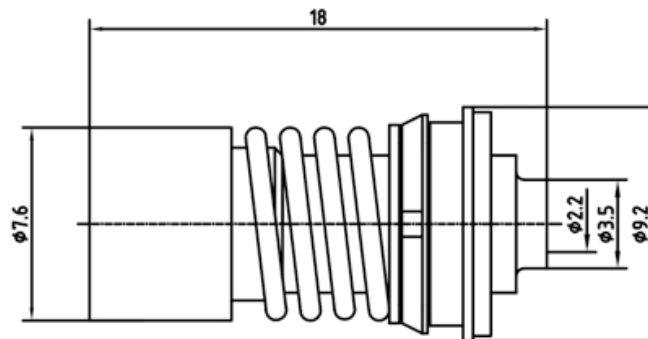
- 1.1 Impedence 50Ω
- 1.2 Frequency range: DC-18GHz
- 1.3 Working voltage: ≤250V
- 1.4 Dielectric withstanding voltage 750V(volts RMS)
- 1.5 Insulation resistance: ≥5000MΩ
- 1.6 Center contact resistance ≤3MΩ
- 1.7 Outer contact resistance ≤2MΩ

2 Environmental&Mechanical

- 2.1 Temperature range -40℃~85℃
- 2.2 RoHs Compliant
- 2.3 Durability 500 mating cycles



3 Materials&Finish

- 3.1 Body: Brass, gold plated
- 3.2 Insulator: Teflon
- 3.3 Contact Pin: Beryllium-copper, Gold plated



Notes:

- 1.ALL SPECIFICATIONS ARE SUBJECT TO CHANGE NOTICE AT ANY TIME
- 2.CUSTOMER OUTLINE DRAWING FOR REFERENCE ONLY

DRAWN: T.Shihua 28/10/16 ENGINEER: C.Tao 28/10/16 APPROVED: W.Qiang 28/10/16	TITLE: BMA-KB2 BMA Female Conn. For RG405/.086 cable	 www.rf-connector-china.com		
TOLERANCES UNLESS OTHERWISE SPECIFIED X ±0.50 .X ±0.20 .XX ±0.10 ANGLES ±1°	PART NO: TRL-BMA1823661		 DIMENSION IN MILLIMETERS (mm)	
SIZE: A4		SCALE: N/A	SHEET: 1/1	REV: A