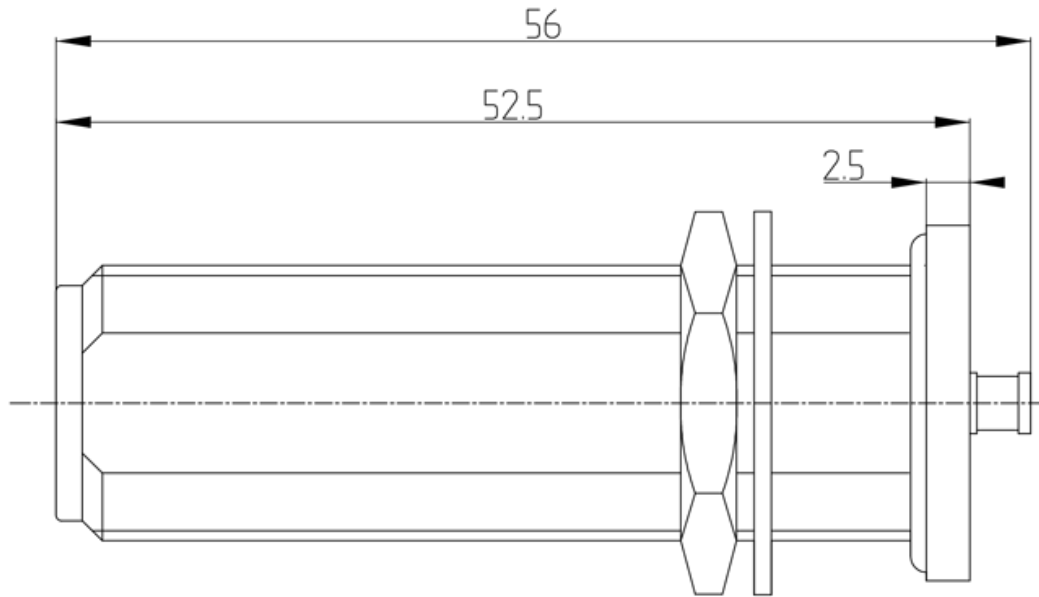
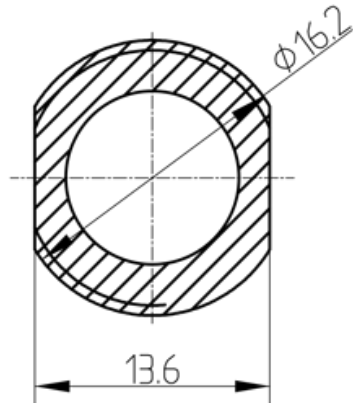


This document contains proprietary information and such information may not be disclosed to others for any purposes, not used for sales/marketing/procurement purposes without written permission

REV	DESCRIPTION OF REVISION	ECN NO.	BY	DATE	APPROVED
A	New Release	—	T. Shihua	26/08/15	26/08/15



Recommended Mounting Hole



1 Electrical

- 1.1 Impedance 50 Ω
- 1.2 Frequency DC-6GHz
- 1.3 VSWR 1.20:1

2 Environmental&Mechanical

- 2.1 Temperature range -45℃~125℃
- 2.2 RoHs Compliant
- 2.3 Durability >500 cycles

3 Materials&Finish



- 3.1 Body: Brass, Nickel plated
- 3.2 Insulator: Teflon
- 3.3 Contact Pin: Bronze, gold plated
- 3.5 Nut: Brass, Nickel plated
- 3.6 Washer: Phosphor bronze, nickel plated

Notes:

- 1. ALL SPECIFICATIONS ARE SUBJECT TO CHANGE NOTICE AT ANY TIME
- 2. CUSTOMER OUTLINE DRAWING FOR REFERENCE ONLY

DRAWN: T. Shihua 26/08/15
ENGINEER: C. Tao 26/08/15
APPROVED: W. Qiang 26/08/15
TOLERANCES UNLESS OTHERWISE SPECIFIED
X +0.50
X +0.20
XX +0.10
ANGLES ±1°

TITLE:
RF Coaxial Connector
N female B/H Conn. For 086 Cable
PART NO: N-KYB2E

 <a href="http://www.rf-connector-china.com">www.rf-connector-china.com</a>			
 DIMENSION IN MILLIMETERS (mm)			
SIZE: A4	SCALE: N/A	SHEET: 1/1	REV: A