

This document contains proprietary information and such information may not be disclosed to others for any purposes, not used for sales/marketing/procurement purposes without written permission

REV	DESCRIPTION OF REVISION	ECN NO.	BY	DATE	APPROVED
A	Initial Release	—	T. haiyun	19/12/15	19/12/15

1 Electrical

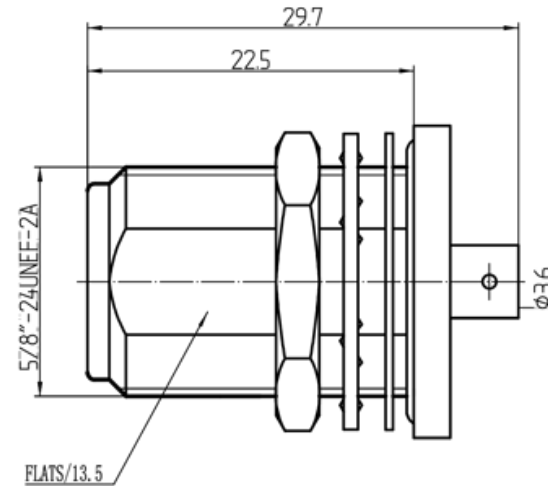
1.1 Impedence	50 Ω
1.2 Frequency	0~6GHz
1.2 Dielectric withstanding voltage	1500V(volts RMS)
1.3 Working Voltage:	1000V rms
1.5 Insulation resistance:	≥5000MΩ
VSWR	1.25:1

2 Environmental&Mechanical

2.1 Temperature range	-40℃~125℃
2.2 RoHs Compliant	
2.3 Durability	>500 cycles



3 Materials&plating

3.1 Body:	Brass, Nickel plated
3.2 Insulator:	Teflon
3.3 Contact Pin:	Phosphor bronze, Gold plated
3.4 Nut:	Brass, Nickel plated
3.5 Washer:	Brass, Nickel plated



**Notes:**

- ALL SPECIFICATIONS ARE SUBJECT TO CHANGE NOTICE AT ANY TIME
- CUSTOMER OUTLINE DRAWING FOR REFERENCE ONLY

DRAWN: T. Haiyun 19/12/15	TITLE: RF Coaxial Connector  N female B/H Conn. For .141/RG402 cable	 <a href="http://www.teruilai.com">www.teruilai.com</a>			
ENGINEER: C. Tao 19/12/15					
APPROVED: W. Qiang 19/12/15		 DIMENSION IN MILLIMETERS (mm)			
TOLERANCES UNLESS OTHERWISE SPECIFIED	PART NO: N-KYB3TD	SIZE: A4	SCALE: N/A	SHEET: 1/1	REV: A
X +0.50					
X +0.20					
XX +0.10					
ANGLES ±1°					