

This document contains proprietary information and such information may not be disclosed to others for any purposes, not used for sales/marketing/procurement purposes without written permission

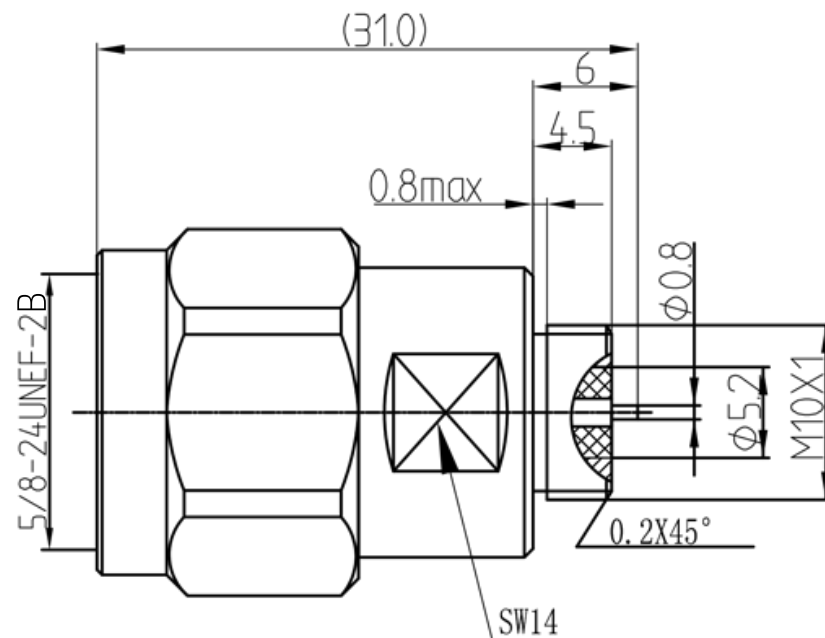
REV	DESCRIPTION OF REVISION	ECN NO.	BY	DATE	APPROVED
A	New Release	—	T.Shihua	09/08/17	09/08/17

1 电气性能

- 1.1 特性阻抗 50Ω
- 1.2 频率 DC~6GHz
- 1.3 介质耐压 1000V
- 1.4 中心导体电阻 $\leq 3M \Omega$
- 1.5 外导体电阻 $\leq 2M \Omega$
- 1.6 绝缘电阻 $\geq 5000M \Omega$
- 1.7 VSWR $\leq 1.2:1$

2 材料及涂覆

- 2.1 外壳: 黄铜; 镀三元
- 2.2 绝缘子: teflon
- 2.3 内导体: 锡磷青铜; 镀金



Notes:

- 1. ALL SPECIFICATIONS ARE SUBJECT TO CHANGE NOTICE AT ANY TIME
- 2. CUSTOMER OUTLINE DRAWING FOR REFERENCE ONLY

DRAWN: T.Shihua 09/08/17 ENGINEER: C.Tao 09/08/17 APPROVED: W.Qiang 09/08/17	TITLE: 射频同轴连接器 N-JD3	 www.trl-rf.com
TOLERANCES UNLESS OTHERWISE SPECIFIED X ± 0.50 X ± 0.20 XX ± 0.10 ANGLES $\pm 1^\circ$	PART NO.: TRL-NI-263987	 DIMENSION IN MILLIMETERS (mm)
SIZE: A4 SCALE: N/A SHEET: 1/1 REV: A		