

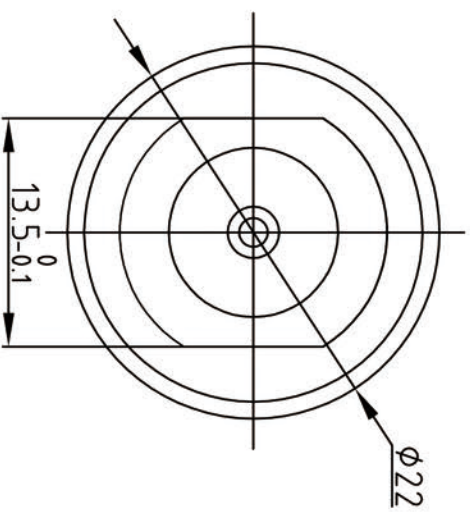
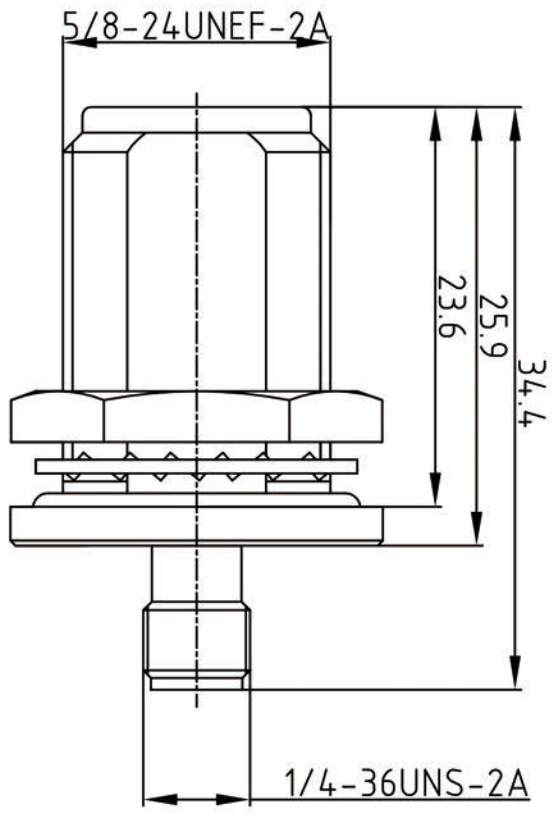
This document contains proprietary information and such information may not be disclosed to others for any purposes, not used for sales/marketing/procurement purposes without written permission

REV	DESCRIPTION OF REVISION	ECN NO.	BY	DATE	APPROVED
A	Initial Release		T.Shihua	18/7/13	18/7/13

- 1 Electrical
- 1.1 Impedance 50Ω
 - 1.2 Frequency 0~11GHz
 - 1.3 Dielectric withstanding voltage 1000V(volts RMS)
 - 1.4 Center contact resistance ≤ 3MΩ
 - 1.5 Outer contact resistance ≤ 2MΩ
 - 1.6 Insulation resistance: ≥5000MΩ

- 2 Environmental&Mechanical
- 2.1 Temperature range -45℃~85℃
 - 2.2 RoHS Compliant
 - 2.3 Durability >500 cycles

- 3 Materials&plating
- 3.1 Body: Brass, nickel plated
 - 3.2 Insulator: Teflon
 - 3.3 Contact Pin: Bronze, Gold plated
 - 3.4 Nut: Brass, nickel plated
 - 3.5 Gasket: Silicon Rubber



Notes:
 1. ALL SPECIFICATIONS ARE SUBJECT TO CHANGE NOTICE AT ANY TIME
 2. CUSTOMER OUTLINE DRAWING FOR REFERENCE ONLY

DRAWN: T.Shihua 18/07/13		TITLE: N/SMA-KYKA	
ENGINEER: C.Too 18/07/13		N female to SMA female	
APPROVED: W.Qiang 18/07/13		B/H adaptor	
TOLERANCES UNLESS OTHERWISE SPECIFIED		PART NO: TRL-Z40-021038	
X	±0.20	DIMENSION IN MILLIMETERS (mm)	www.trl-conductor-china.com
XX	±0.10		
ANGLES	±0°		
SIZE: A4	SCALE: N/A	SHEET: 1/1	REV: A