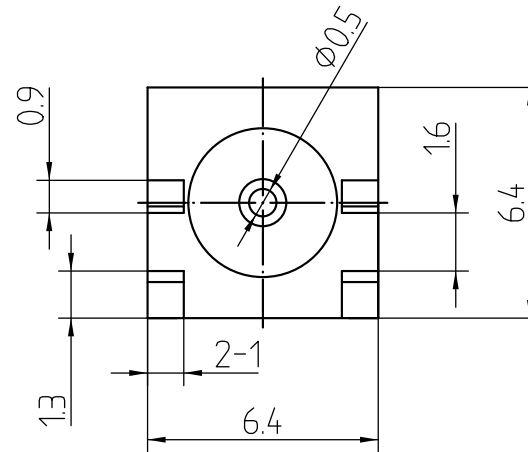
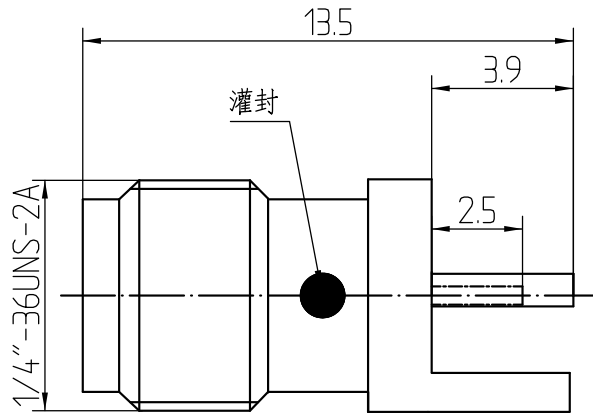


This document contains proprietary information and such information may not be disclosed to others for any purposes,
not used for sales/marketing/procurement purposes without written permission

REV	DESCRIPTION OF REVISION	ECN NO.	BY	DATE	APPROVED
A	Initial Release	—	T. Shihua	1/9/15	1/9/15




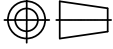
- 1 Electrical**
- 1.1 Impedance: 50 Ω
 - 1.2 Frequency: DC~6GHz
 - 1.3 Dielectric withstanding voltage: 1000V(volts RMS)
 - 1.4 Center contact resistance: $\leq 3M\Omega$
 - 1.5 Outer contact resistance: $\leq 2M\Omega$
 - 1.6 Insulation resistance: $\geq 5000M\Omega$
 - 1.7 VSWR: 1.20:1

- 2 Environmental&Mechanical**
- 2.1 Temperature range: -40 $^{\circ}$ C~70 $^{\circ}$ C
 - 2.2 RoHs Compliant
 - 2.3 Durability: >500 cycles

- 3 Materials&plating**
- 3.1 Body: Brass, Gold Plated
 - 3.2 Insulator: Teflon,
 - 3.3 Contact Pin: Beryllium-copper, Gold plated

Notes:

- 1. ALL SPECIFICATIONS ARE SUBJECT TO CHANGE NOTICE AT ANY TIME
- 2. CUSTOMER OUTLINE DRAWING FOR REFERENCE ONLY

DRAWN : T. Shihua 1/9/15 ENGINEER: C. Tao 1/9/15 APPROVED : W. Qiang 1/9/15	TITLE: RF Coaxial Connector SMA Female Conn. PCB Mount	 www.terulai.com
TOLERANCES UNLESS OTHERWISE SPECIFIED X ± 0.50 .X ± 0.20 .XX ± 0.10 ANGLES $\pm 1^{\circ}$	 DIMENSION IN MILLIMETERS (mm)	
PART NO: SMA-KHDC7	SIZE: A4	SCALE: N/A
	SHEET: 1/1	REV: A