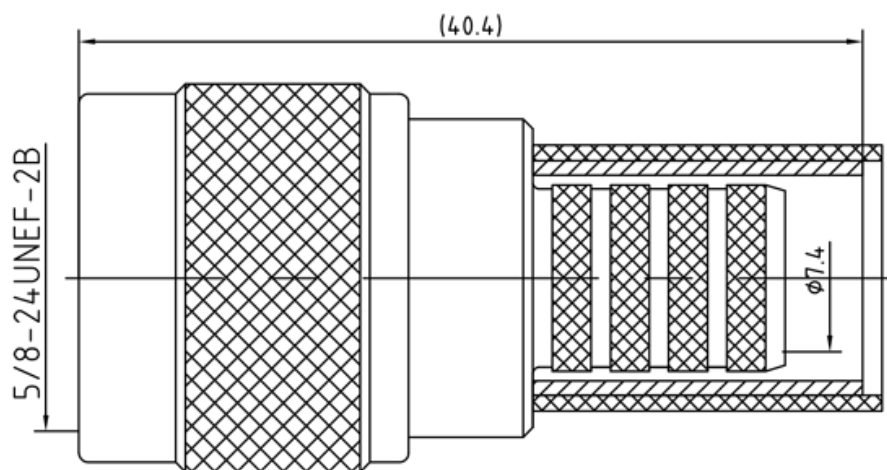


A

B

C

D

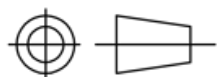


1 Electrical

- 1.1 Impedance: 50Ω
- 1.2 Frequency: 0-11GHz
- 1.3 Insulation resistance: $\geq 5000M\Omega$
- 1.4 Dielectric strength: 1500V
- 1.5 Center contact resistance $\leq 1M\Omega$
- 1.6 Outer contact resistance $\leq 0.2M\Omega$

2 Material&Finish

- 2.1 Inner Contact: Brass, gold plated
- 2.2 Outer Contact: Brass, Nickel plated
- 2.3 Insulators: PTFE
- 2.4 Gasket: SiliCON Rubber (red color)
- 2.5 Ferrule: Copper, nickel plated



Scale

1:1

N-J400Y

N Male Conn for LMR400

UNLESS OTHERWISE SPECIFIED
DIMENSIONS ARE mm, TOLERANCES ARE:
FRACTIONS DECIMALS ANGLES

.X± .15 ±1°

.XX± .05

.XXX±


www.rf-connector-china.com

No		Name	Date
1	Designed	Tomson	14-Mar-09
2	Checked	Jason	14-Mar-09
3	Approved	Teresa	14-Mar-09