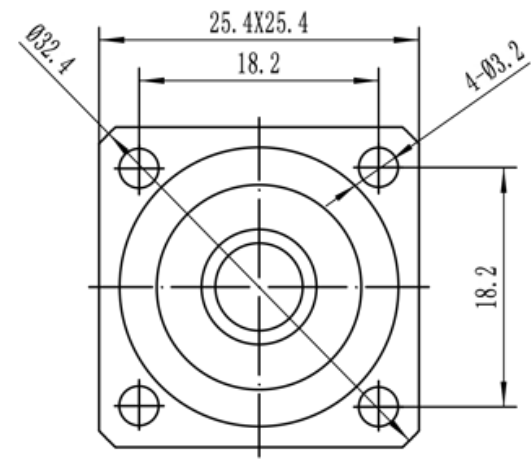
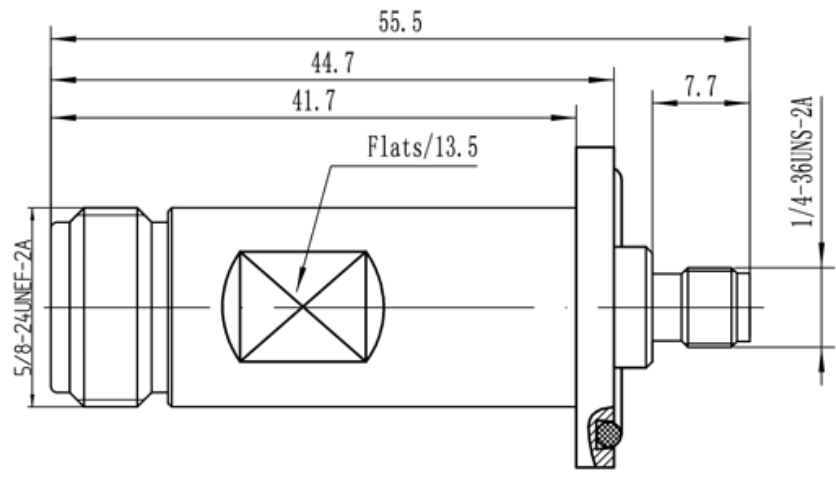


This document contains proprietary information and such information may not be disclosed to others for any purposes, not used for sales/marketing/procurement purposes without written permission

REV	DESCRIPTION OF REVISION	ECN NO.	BY	DATE	APPROVED
A	Initial Release	—	T. Shihua	19/4/17	19/4/17



1 Electrical



- 1.1 Impedance: 50 Ω
- 1.2 Frequency: DC-3GHz
- 1.3 VSWR: 1.15:1
- 1.4 Meet with IP65 Requirement

2 Material&Finish

- 2.1 Contact: Beryllium-Copper, gold plated
- 2.2 Body: Brass, Tri-ALLOY
- 2.3 Insulators: Teflon

Notes:

- 1. ALL SPECIFICATIONS ARE SUBJECT TO CHANGE NOTICE AT ANY TIME
- 2. CUSTOMER OUTLINE DRAWING FOR REFERENCE ONLY

DRAWN: T. Shihua 19/4/17 ENGINEER: C. Tao 19/4/17 APPROVED: W. Qiang 19/4/17 TOLERANCES UNLESS OTHERWISE SPECIFIED X +0.50 X +0.20 XX +0.10 ANGLES ±1°	TITLE: <b>RF Adaptor</b> N Female to SMA Female Flange Adaptor PART NO: <b>N/SMA-KFKMB</b>	 <a href="http://www.rf-conector-china.com">www.rf-conector-china.com</a>  DIMENSION IN MILLIMETERS (mm)		
	SIZE: A4	SCALE: N/A	SHEET: 1/1	REV: A