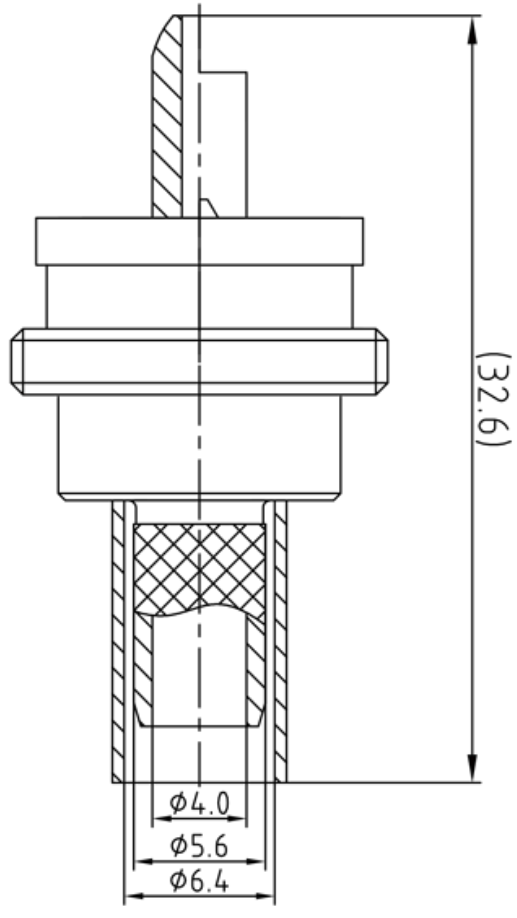
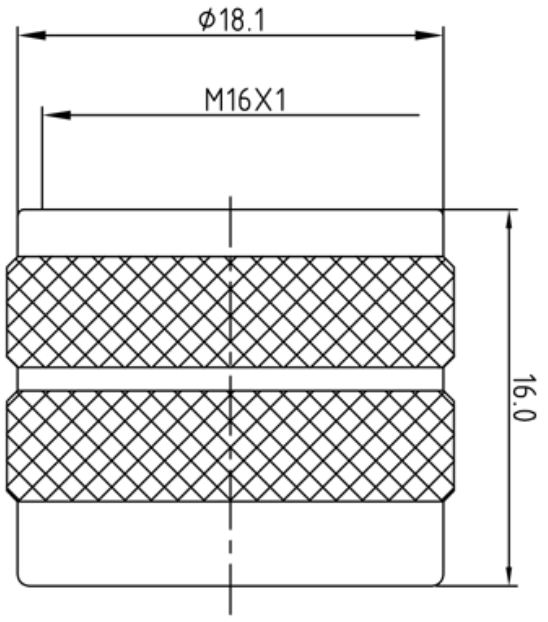


This document contains proprietary information and such information may not be disclosed to others for any purposes, not used for sales/marketing/procurement purposes without written permission

REV	DESCRIPTION OF REVISION	ECN NO.	BY	DATE	APPROVED
A	Initial Release	---	T.Shihua	13/05/15	13/05/15




Materials&Finish

- 1 Body: Brass, Silver plated
- 2 Insulator: Teflon
- 3 Contact Pin: Brass, Gold plated
- 4 Ferrule: Copper, silver plated

Notes:

- 1. ALL SPECIFICATIONS ARE SUBJECT TO CHANGE NOTICE AT ANY TIME
- 2. CUSTOMER OUTLINE DRAWING FOR REFERENCE ONLY

DRAWN: T.Shihua 13/05/15		TITLE:	
ENGINEER: C.Too 13/05/15		UHF-J240Y	
APPROVED: W.Qiang 13/05/15		UHF male Conn. For LMR240 Cable	
TOLERANCES UNLESS OTHERWISE SPECIFIED		PART NO: TRL-UHF-289056	
X	±0.20	 www.rf-connector-china.com DIMENSION IN MILLIMETERS (mm)	
XX	±0.10		
ANGLES	±1°		
SIZE: A4	SCALE: N/A	SHEET: 1/1	REV: A