

This document contains proprietary information and such information may not be disclosed to others for any purposes, not used for sales/marketing/procurement purposes without written permission

REV	DESCRIPTION OF REVISION	ECN NO.	BY	DATE	APPROVED
A	Initial Release	—	T. Shihua	18/7/08	18/7/08

### 1 Electrical

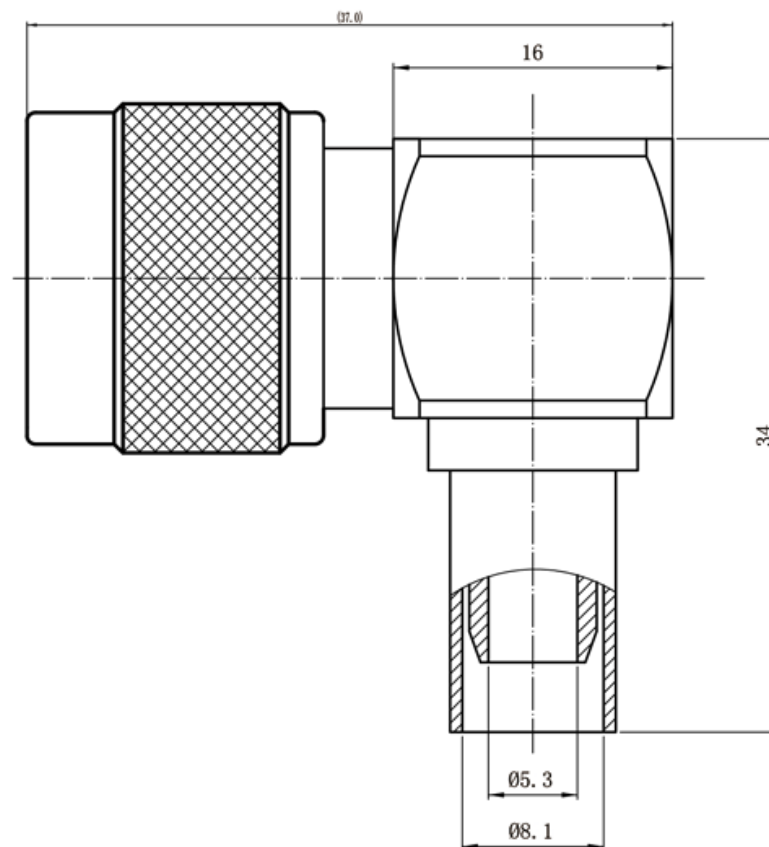
- 1.1 Impedance 50  $\Omega$
- 1.2 Dielectric withstanding voltage 1500V(volts RMS)
- 1.3 Center contact resistance  $\leq 1M \Omega$
- 1.4 Outer contact resistance  $\leq 0.2M \Omega$
- 1.5 Insulation resistance:  $\geq 5000M \Omega$

### 2 Environmental&Mechanical

- 2.1 Temperature range -45 $^{\circ}$ C~85 $^{\circ}$ C
- 2.2 RoHs Compliant
- 2.3 Durability >500 cycles



### 3 Materials&plating (Micro-inch)

- 3.1 Body: Brass, nickel plated
- 3.2 Insulator: Teflon
- 3.3 Contact Pin: Brass, Gold plated
- 3.4 Housing: Brass, nickel plated
- 3.5 Hex Nut: Brass, nickel plated
- 3.6 Gasket: Silicon rubber (red color)
- 3.7 Spring: Phosphor bronze, nickel plated



#### Notes:

- 1. ALL SPECIFICATIONS ARE SUBJECT TO CHANGE NOTICE AT ANY TIME
- 2. CUSTOMER OUTLINE DRAWING FOR REFERENCE ONLY

<b>DRAWN :</b> T. Shihua 18/07/08 <b>ENGINEER:</b> C. Tao 18/07/08 <b>APPROVED :</b> W. Qiang 18/07/08 <b>TOLERANCES UNLESS OTHERWISE SPECIFIED</b> X $\pm 0.50$ X $\pm 0.20$ XX $\pm 0.10$ <b>ANGLES</b> $\pm 1^{\circ}$	<b>TITLE:</b> RF Coaxial Connector  N Male R/A Conn. For 5D-FB Cable Crimp type  <b>PART NO:</b> N-JW5D-FBY	 <a href="http://www.rf-connector-china.com">www.rf-connector-china.com</a>   DIMENSION IN MILLIMETERS (mm)
	<b>SIZE:</b> A4 <b>SCALE:</b> N/A <b>SHEET:</b> 1/1 <b>REV:</b> A	