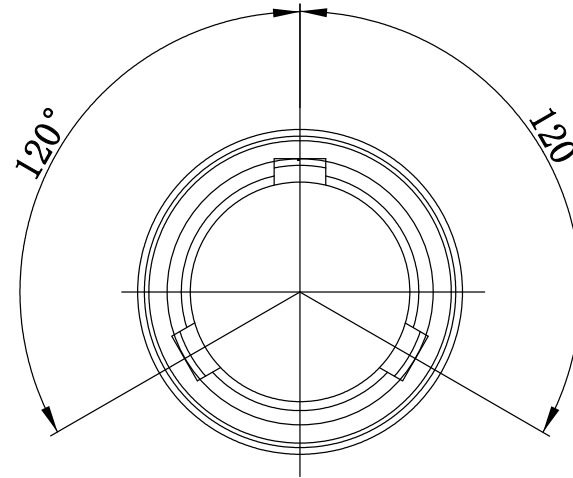
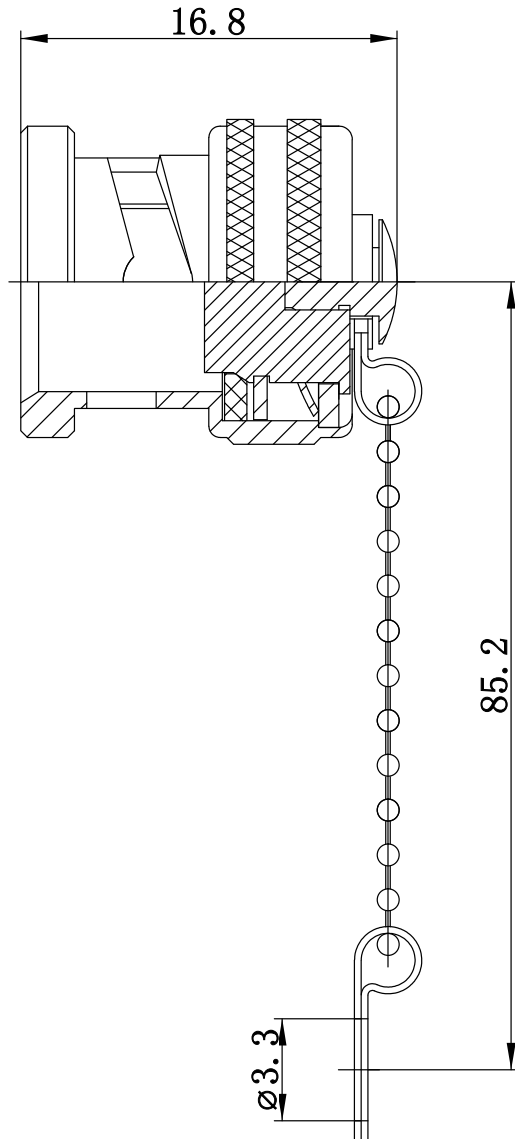




This document contains proprietary information and such information may not be disclosed to others for any purposes,  
not used for sales/marketing/procurement purposes without written permission

REV	DESCRIPTION OF REVISION	ECN NO.	BY	DATE	APPROVED
A	Initial Release	—	T. Shihua	19/03/17	19/03/17



Notes:

1. ALL SPECIFICATIONS ARE SUBJECT TO CHANGE NOTICE AT ANY TIME
2. CUSTOMER OUTLINE DRAWING FOR REFERENCE ONLY

DRAWN : T. Shihua 19/03/17 ENGINEER: C. Tao 19/03/17 APPROVED : W. Qiang 19/03/17	TITLE:  Dust Cap	 <a href="http://www.rf-connector-china.com">www.rf-connector-china.com</a>		
TOLERANCES UNLESS OTHERWISE SPECIFIED X ±0.50 .X ±0.20 .XX ±0.10 ANGLES ±1°	TRB Series Tricoax Conn.		 DIMENSION IN MILLIMETERS (mm)	
PART NO: TRB-FCM	SIZE: A4	SCALE: N/A	SHEET: 1/1	REV: A