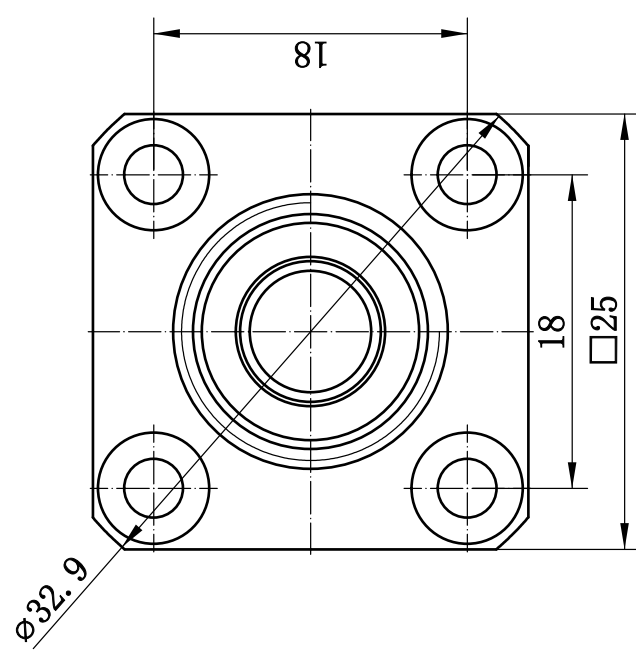
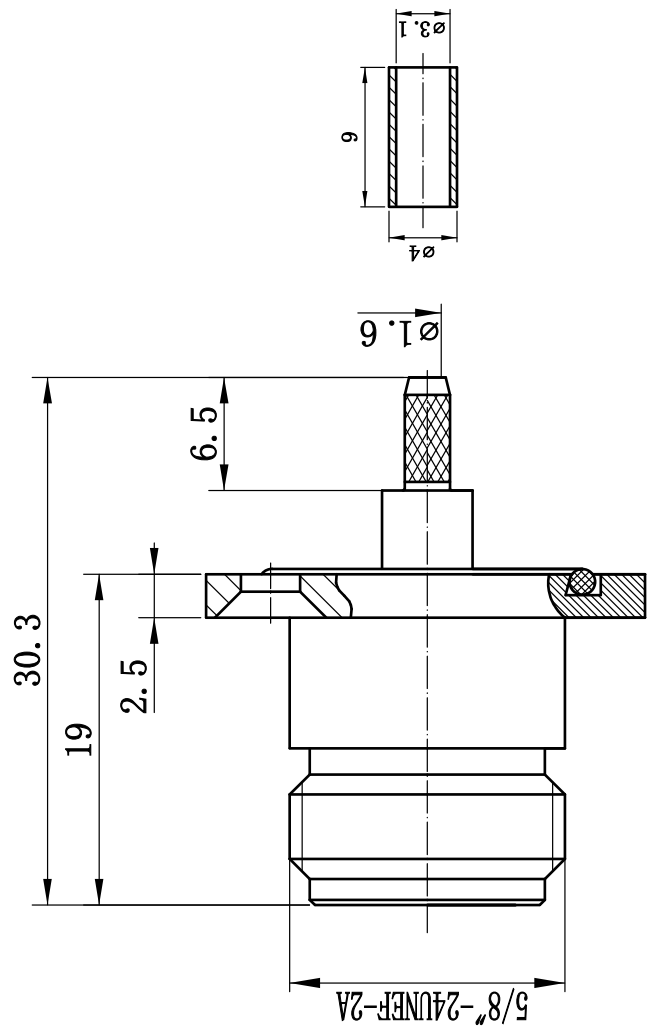


This document contains proprietary information and such information may not be disclosed to others for any purposes, not used for sales/marketing/procurement purposes without written permission

REV	DESCRIPTION OF REVISION	ECN NO.	BY	DATE	APPROVED
A	Initial Release		T. Shihua	07/04/16	07/04/16



1. Electrical
 - 1.1 Impedence 50 Ω
 - 1.2 Frequency 0~6GHz
 - 1.3 Dielectric withstanding voltage 1500V (volts RMS)
 - 1.4 Center contact resistance ≤ 1MΩ
 - 1.5 Outer contact resistance ≤ 0.2MΩ
 - 1.6 Insulation resistance: ≥5000MΩ
 - 1.7 VSWR 1.25:1

2. Environmental & Mechanical
 - 2.1 Temperature range -45°C~125°C
 - 2.2 RoHS Compliant
 - 2.3 Durability >500 cycles

3. Materials & Plating
 - 3.1 Body: Brass, nickel plated
 - 3.2 Insulator: Teflon
 - 3.3 Contact Pin: Bronze, Gold plated
 - 3.4 O-Ring: Silicon Rubber

Notes:

1. ALL SPECIFICATIONS ARE SUBJECT TO CHANGE NOTICE AT ANY TIME
2. CUSTOMER OUTLINE DRAWING FOR REFERENCE ONLY

DRAWN : T. Shihua 07/04/16		TITLE: RF Coaxial Connector	
ENGINEER: C. Tao 07/04/16		N female Flange Conn. For	
APPROVED : W. Qiang 07/04/16		RG316 Cable	
TOLERANCES UNLESS OTHERWISE SPECIFIED			
X	±0.50		
.X	±0.20		
.XX	±0.10		
ANGLES ±1°			
DMF NO: N-KF31F-A	SCALE: N/A	SHEET: 1/1	REV: A



DIMENSION IN MILLIMETERS (mm)