

This document contains proprietary information and such information may not be disclosed to others for any purposes, not used for sales/marketing/procurement purposes without written permission

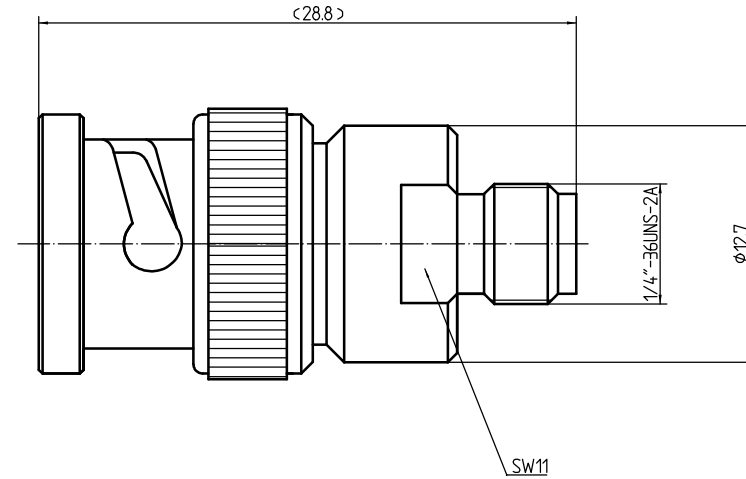
REV	DESCRIPTION OF REVISION	ECN NO.	BY	DATE	APPROVED
A	Initial Release	—	T. Shihua	09/07/15	09/07/15

1 Electrical Data:

- 1.1 Impedance: 50 Ω
- 1.2 Frequency: DC~4GHz
- 1.3 VSWR: 1.25:1



2 Material&Finish

- 2.1 Inner Contact: gold plated over Phospher bronze
- 2.2 Outer Contact: nickel plated over brass.
- 2.3 Insulators: Teflon



Notes:

- 1. ALL SPECIFICATIONS ARE SUBJECT TO CHANGE NOTICE AT ANY TIME
- 2. CUSTOMER OUTLINE DRAWING FOR REFERENCE ONLY

DRAWN: T. Shihua 09/07/15	TITLE: RF Adaptor BNC male to SMA Female Adaptor	 www.rf-connector-china.com			
ENGINEER: C. Tao 09/07/15					
APPROVED: W. Qiang 09/07/15		 DIMENSION IN MILLIMETERS (mm)			
TOLERANCES UNLESS OTHERWISE SPECIFIED X ±0.50 .X ±0.20 .XX ±0.10 ANGLES ±1°	PART NO: BNC/SMA-JK-F	SIZE: A4	SCALE: N/A	SHEET: 1/1	REV: A