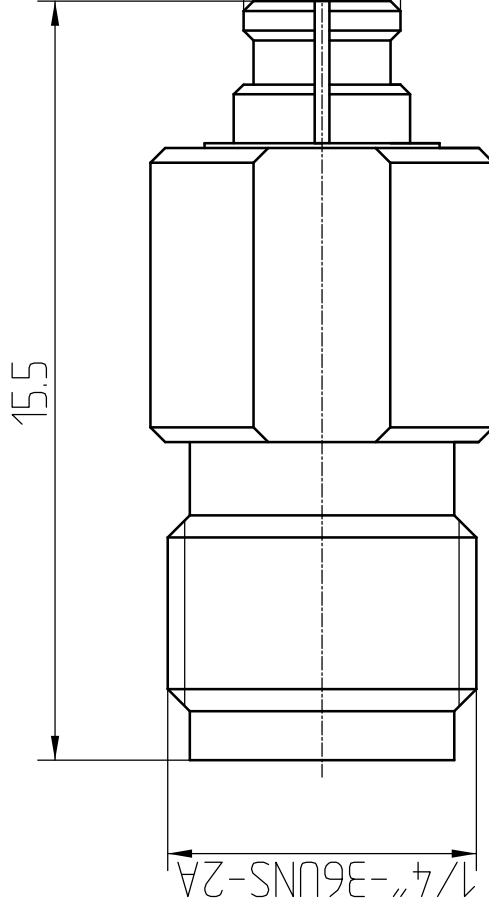


This document contains proprietary information and such information may not be disclosed to others for any purposes, not used for sales/marketing/procurement purposes without written permission

- 1 Electrical
 - 1.1 Impedence 50 Ω
 - 1.2 Frequency range: DC-18GHz
 - 1.3 VSWR 1.30 : 1
- 2 Materials & plating
 - 2.1 Body: Stainless Steel, Passivated
 - 2.2 Insulator: Teflon
 - 2.3 Contact Pin: Beryllium-copper, Gold plated
 - 2.4 Contact Spring: Beryllium-copper, Gold plated



| | | | |
|---------------------------------------|---------------|----------------------------------|--|
| DRAWN: T. Shihua 26/8/16 | | TITLE: Precision Adapter | |
| ENGINEER: C. Tao 26/8/16 | | SMA Female to SMP Female Adaptor | |
| APPROVED: W. Qiang 26/8/16 | | www.rf-connector-china.com | |
| TOLERANCES UNLESS OTHERWISE SPECIFIED | | DIMENSION IN MILLIMETERS (mm) | |
| X | +0.20 | [Symbol] | |
| XX | +0.10 | SIZE: A4 | |
| ANGLES | $\pm 1^\circ$ | SCALE: N/A | |
| PART NO: SMA/SMP-KKG-F | | SHEET: 1/1 | |
| | | REV: A | |

- Notes:
- 1. ALL SPECIFICATIONS ARE SUBJECT TO CHANGE NOTICE AT ANY TIME
 - 2. CUSTOMER OUTLINE DRAWING FOR REFERENCE ONLY