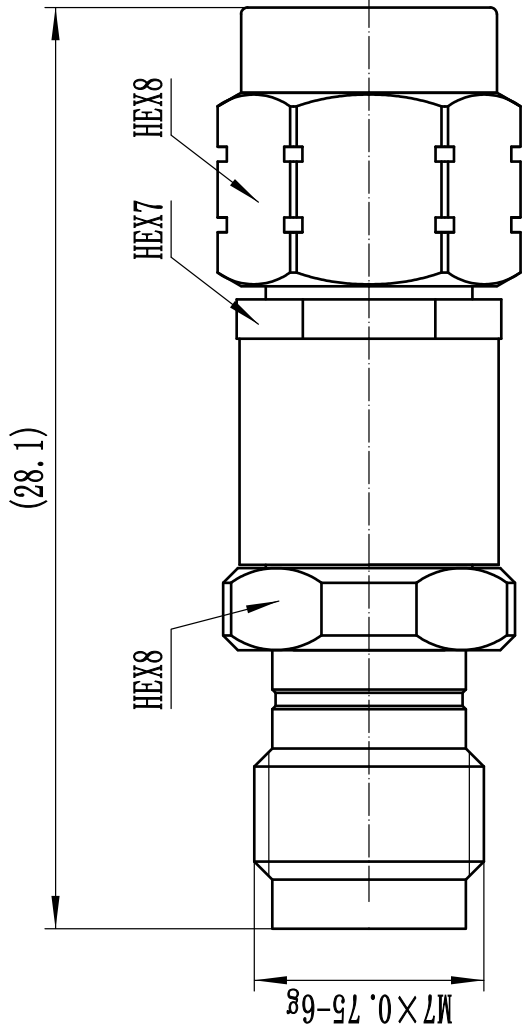


This document contains proprietary information and such information may not be disclosed to others for any purposes, not used for sales/marketing/procurement purposes without written permission

- 1 Electrical
 - 1.1 Impedance: 50 Ω
 - 1.2 Frequency: DC~40GHz
 - 1.3 VSWR: 1.25:1
 - 1.4 Insertion Loss: 0.3dB max
- 2 Mechanical&Environmental
 - 2.1 Temperature range -45℃~+125℃
 - 2.2 Durability(matings) >500
 - 2.3 RoHs Compliant Yes
- 3 Material&Finish
 - 3.1 Pin contact: Beryllium-Copper, gold plated
 - 3.2 Body: Stainless Steel, Passivated
 - 3.3 Insulators: PEI
- 4 Interface Standards
 - 4.1 2.92 MIL-STD-348A



Notes:
 1. ALL SPECIFICATIONS ARE SUBJECT TO CHANGE NOTICE AT ANY TIME
 2. CUSTOMER OUTLINE DRAWING FOR REFERENCE ONLY

REV	DESCRIPTION OF REVISION	TEL NO.	BY	DATE	APPROVED
A	Initial Release		T. Shihua	07/03/2022	07/03/2022

DRAWN: T. Shihua 07/03/2022		TITLE	
ENGINEER: C. Tao 07/03/2022	RF Coaxial Connector		
APPROVED: W. Qiang 07/03/2022	2.4 Female to 2.92 Male		
TOLERANCES UNLESS OTHERWISE SPECIFIED	DIMENSION IN MILLIMETERS (mm)		
X ±0.50	SIZE: A4 SCALE: 4.5:1 SHEET: 1/1 REV: VA		
.X ±0.20	PART NO: 2.4/2.92-KJG-F		
.XX ±0.10			
ANGLES ±1°			

