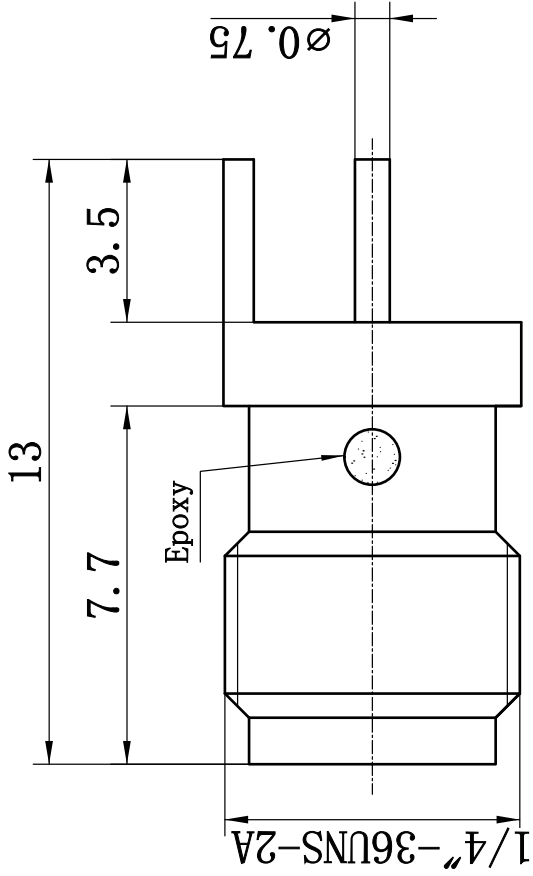
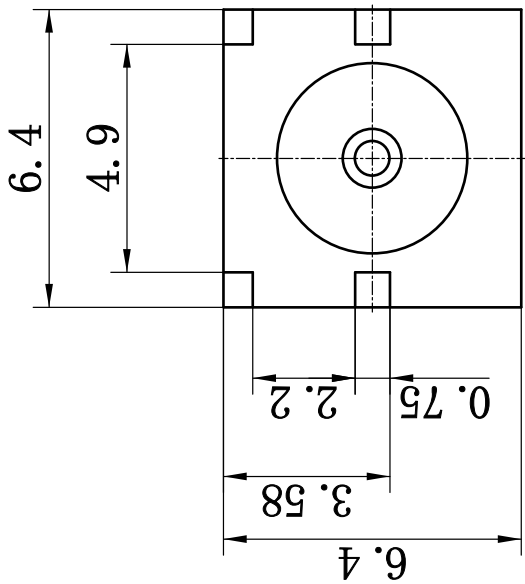


This document contains proprietary information and such information may not be disclosed to others for any purposes, not used for sales/marketing/procurement purposes without written permission

REV	DESCRIPTION OF REVISION	ECN NO.	BY	DATE	APPROVED
A	Initial Release		T. Shihua	1/9/15	1/9/15



- 1 Electrical
  - 1.1 Impedance 50 Ω
  - 1.2 Frequency DC~18GHz
  - 1.3 VSWR 1.20:1@6GHz
- 2 Environmental&Mechanical
  - 2.1 Temperature range -40℃~+125℃
  - 2.2 RoHS Compliant
  - 2.3 Durability >500 cycles

- 3 Material&plating
  - 3.1 Body: Brass, Gold Plated
  - 3.2 Insulator: Teflon,
  - 3.3 Contact Pin: Beryllium-copper, Gold plated

Notes:  
 1. ALL SPECIFICATIONS ARE SUBJECT TO CHANGE NOTICE AT ANY TIME  
 2. CUSTOMER OUTLINE DRAWING FOR REFERENCE ONLY

DRAWN : T. Shihua 1/9/15		TITLE:	
ENGINEER: C. Tao 1/9/15	RF Coaxial Connector	www.terulia.com	
APPROVED : W. Qiang 1/9/15	SMA Female Conn. Edge Mount	DIMENSION IN MILLIMETERS (mm)	
TOLERANCES UNLESS OTHERWISE SPECIFIED		SCALE: A4	
X ±0.50		SHEET: 1/1	
.X ±0.20		REF: A	
.XX ±0.10		SIZE: A4	
ANGLES ±1°		PART NO: SMA-KEDC10	