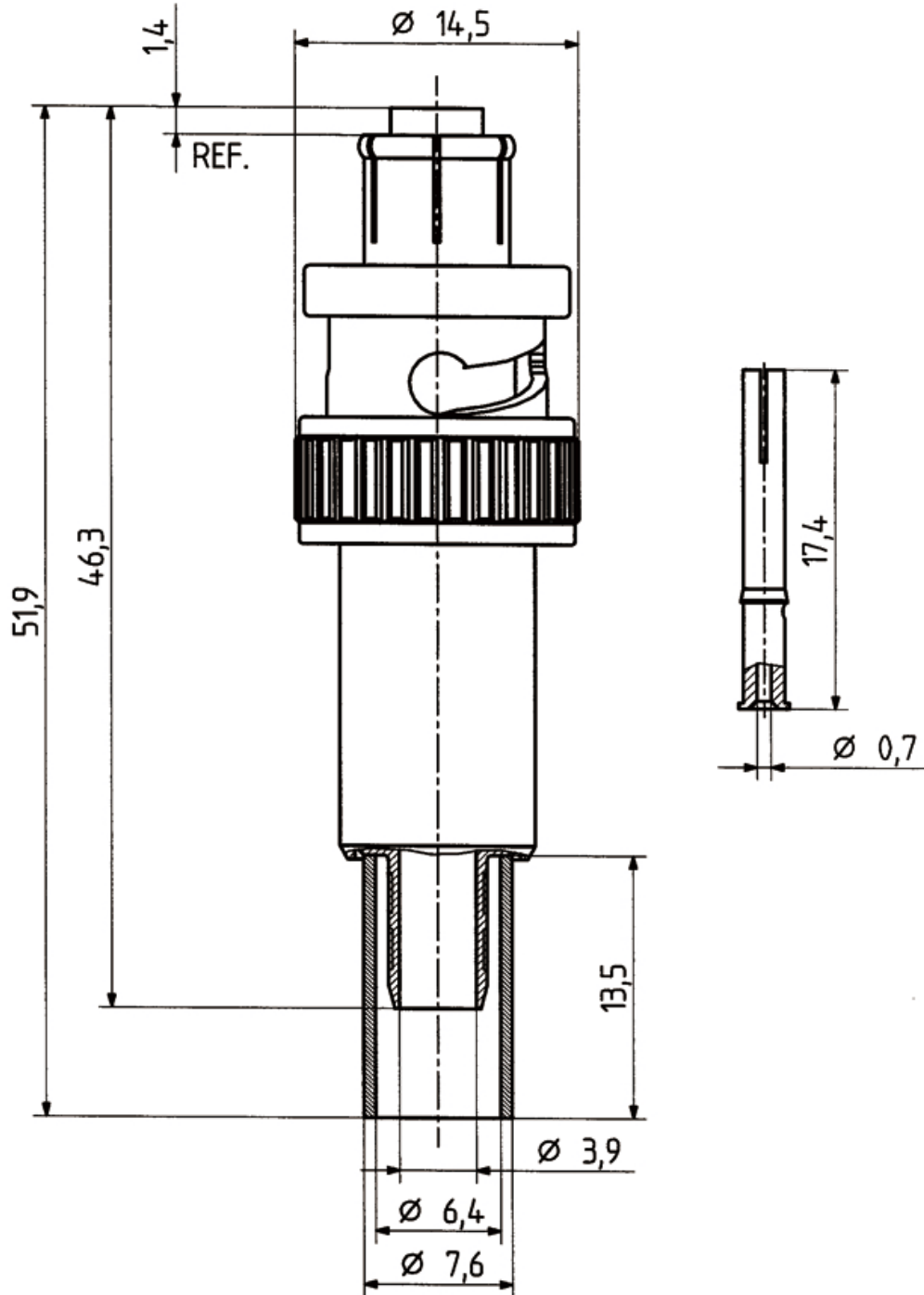
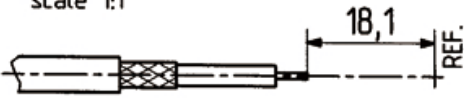


This document contains proprietary information and such information may not be disclosed to others for any purposes, nor used for sales/marketing/procurement purposes without written permission  
 本文件包含专有信息，没有书面许可，该信息不能以任何形式披露给第三方，也不能用于任何目的的买卖、销售及采购。

cable shortening dimension

scale 1:1



FIRST ANGLE PROJECTION		SCALE	1:1
THIRD ANGLE PROJECTION		NAME	DATE
		DRAWN	Tomson Tang 1-3-12
		CHECKED	Magi Wang 1-3-12
		APPROVED	Teresa Shen 1-3-12

SHV-75K6Y  
 SHV female B/H for RG59 cable

UNITS  
 mm  
 REV  
 V1.0

UNLESS OTHERWISE SPECIFIED  
 DIMENSIONS ARE mm, TOLERANCES ARE:  
 FRACTIONS DECIMALS ANGLES  
 .X± .20 ±1°  
 .XX± .10  
 .XXX±



[www.rf-connector-china.com](http://www.rf-connector-china.com)