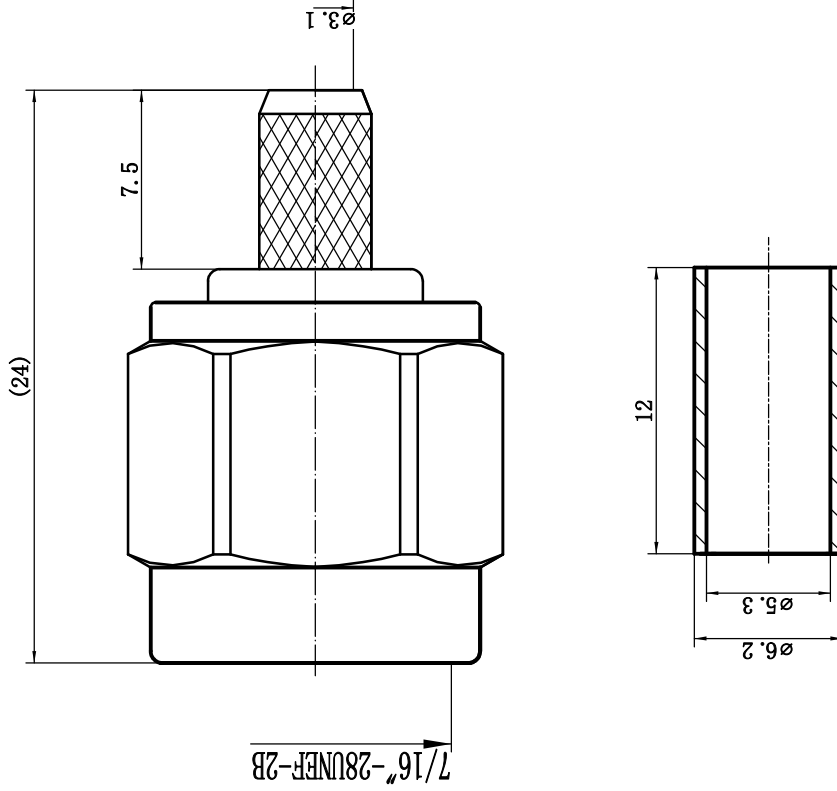


This document contains proprietary information and such information may not be disclosed to others for any purposes, not used for sales/marketing/promocement purposes without written permission

REV	DESCRIPTION OF REVISION	ECN NO.	BY	DATE	APPROVED
A	Initial Release		T. Haiyun	21/05/08	21/05/08

1. Electrical
 - 1.1 Impedence 50 Ω
 - 1.2 Frequency DC~6GHz
 - 1.3 Dielectric withstanding voltage 1500V (volts RMS)
 - 1.4 Center contact resistance ≤ 1.5MΩ
 - 1.5 Outer contact resistance ≤ 0.2MΩ
 - 1.6 Insulation resistance ≥5000MΩ
 - 1.7 VSWR 1.25:1
2. Environmental&Mechanical
 - 2.1 Temperature range -45℃~+125℃
 - 2.2 Rofhs Compliant
 - 2.3 Durability >500 cycles
3. Materials&plating
 - 3.1 Body: Brass; Nickel plated
 - 3.2 Insulator: Teflon
 - 3.3 Contact Pin: Brass, Gold plated
 - 3.4 Coupling Nut: Brass, Nickel plated
 - 3.5 Gasket: Silicon Rubber (red color)



DRAWN: T. Haiyun 21/05/08		TITLE: RF Coaxial Connector	
ENGINEER: C. Tao 21/05/08		www.rf-connector-china.com	
APPROVED: W. Qiang 21/05/08		DIMENSION IN MILLIMETERS (mm)	
TOLERANCES UNLESS OTHERWISE SPECIFIED		SCALE: N/A	
X ±0.50	.X ±0.20	SIZE: A4	SHEET: 1/1
.XX ±0.10	ANGLES ±1°	PART NO: TNC-J200Y	REV: A

Notes:

1. ALL SPECIFICATIONS ARE SUBJECT TO CHANGE NOTICE AT ANY TIME
2. CUSTOMER OUTLINE DRAWING FOR REFERENCE ONLY