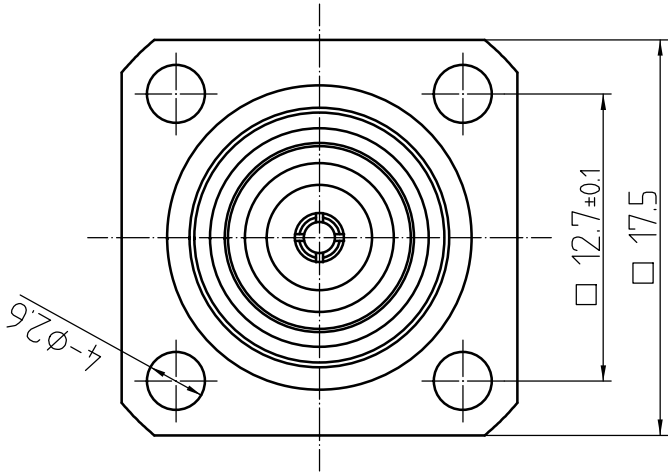
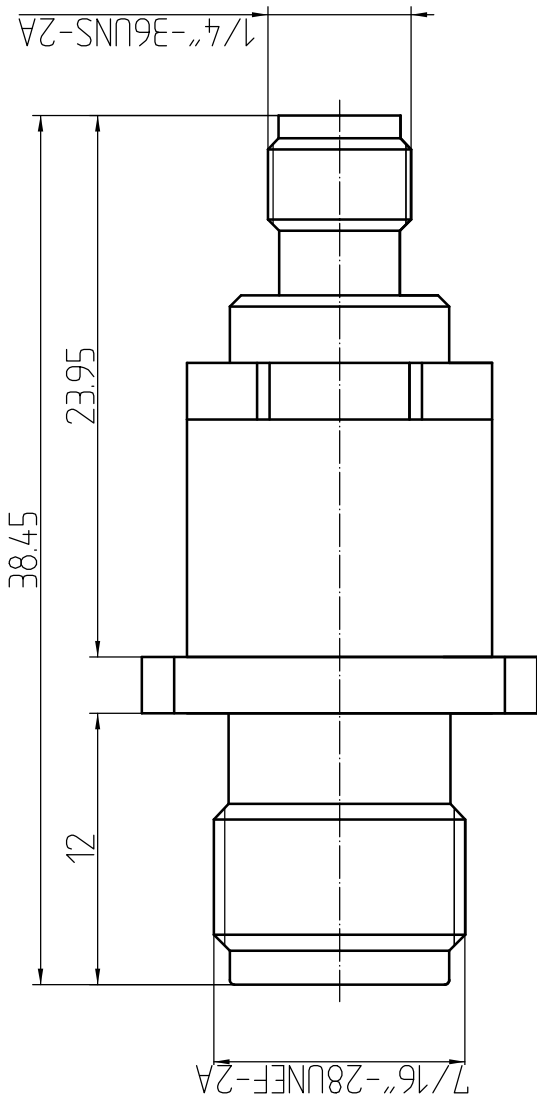




This document contains proprietary information and such information may not be disclosed to others for any purposes, not used for sales/marketing/procurement purposes without written permission



- 1 Electrical
 - 1.1 Impedance: 50 Ω
 - 1.2 Frequency: DC-18GHz
 - 1.3 VSWR: 1.35:1
- 2 Mechanical & Environmental
 - 2.1 Temperature range: -45°C ~ +125°C
 - 2.2 Durability (matings): >500
 - 2.3 RoHS Compliant: Yes
- 3 Material & Finish
 - 3.1 Pin contact: Beryllium-Copper, gold plated
 - 3.2 Body: Stainless Steel (SU303), Passivated
 - 3.3 Insulators: Teflon
- 4 Interface Standards
 - 4.1 SMA: MIL-STD-348A
 - 4.1 TNC: MIL-STD-348A

Notes:
 1. ALL SPECIFICATIONS ARE SUBJECT TO CHANGE NOTICE AT ANY TIME
 2. CUSTOMER OUTLINE DRAWING FOR REFERENCE ONLY

DRAWN: T. Shihua 26/8/16	TITLE: Precision Adapter	 www.rf-connector-china.com
ENGINEER: C. Tao 26/8/16		
APPROVED: W. Qiang 26/8/16		 DIMENSION IN MILLIMETERS (mm)
TOLERANCES UNLESS OTHERWISE SPECIFIED		
X +0.20		SIZE: A4
XX +0.10		SCALE: N/A
ANGLES ±1°		SHEET: 1/1
		REV: A