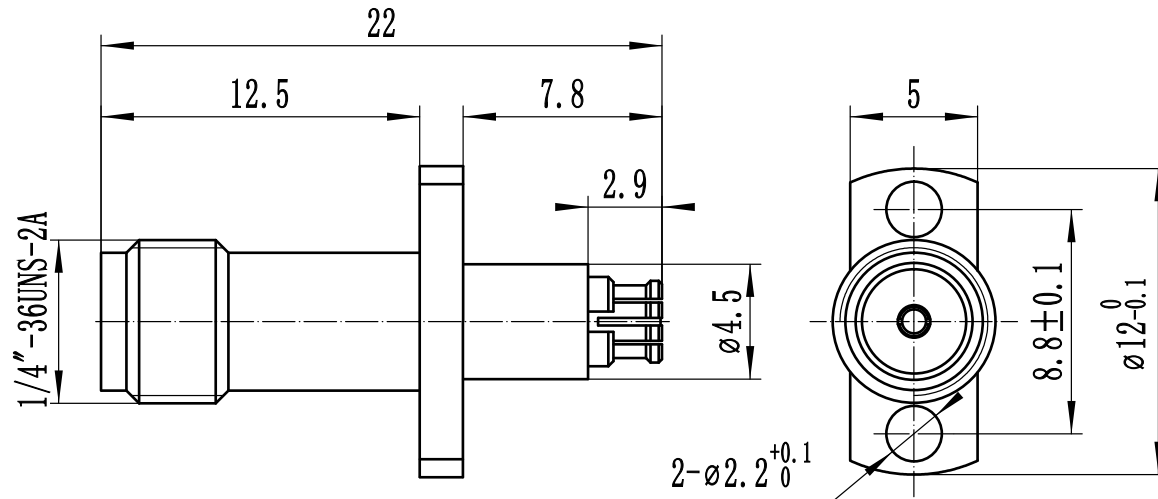


This document contains proprietary information and such information may not be disclosed to others for any purposes, not used for sales/marketing/procurement purposes without written permission

REV	DESCRIPTION OF REVISION	TRL NO.	BY	DATE	APPROVED
A	Initial Release	—	T. Shihua	17/02/2022	17/02/2022

1 Electrical

- 1.1 Impedance: 50 Ω
- 1.2 Frequency: DC~18GHz
- 1.3 VSWR: ≤1.30
- 1.4 Insulation resistance: ≥5000MΩ
- 1.5 Dielectric strength: 500V
- 1.6 Contact resistance
 - Center contact ≤ 6.0MΩ
 - Outer contact ≤ 2.0MΩ





2 Materials&Finish

- 2.1 Inner Contact: Beryllium-Copper, Gold plated
- 2.2 Outer Contact: Brass, Gold plated
- 2.3 Insulators: PTFE

Notes:

- 1. ALL SPECIFICATIONS ARE SUBJECT TO CHANGE NOTICE AT ANY TIME
- 2. CUSTOMER OUTLINE DRAWING FOR REFERENCE ONLY

DRAWN: T. Shihua 19/02/2022 ENGINEER: C. Tao 19/02/2022 APPROVED: W. Qiang 19/02/2022 TOLERANCES UNLESS OTHERWISE SPECIFIED .X ±0.50 .X ±0.20 .XX ±0.10 ANGLES ±1°	TITLE RF Coaxial Connector SMA Female to SMP Female PART NO: SMA/SMP-KFK-E	 www.rf-connector-china.com  DIMENSION IN MILLIMETERS (mm)
	SIZE: A4 SCALE: 3.5:1 SHEET: 1/1 REV: VA	