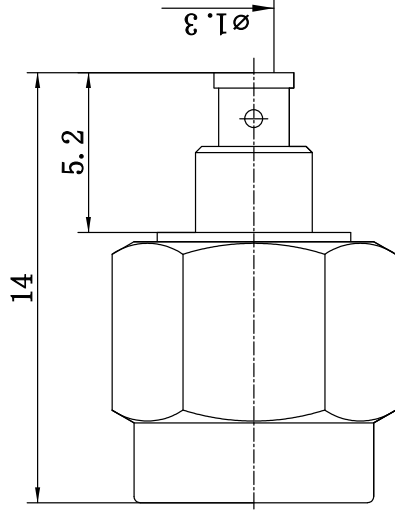
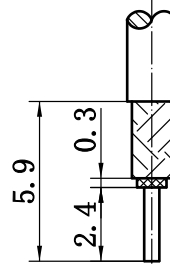


This document contains proprietary information and such information may not be disclosed to others for any purposes, not used for sales/marketing/procurement purposes without written permission

- 1 Electrical
 - 1.1 Impedence 50 Ω
 - 1.2 Frequency DC~6GHz
 - 1.3 VSWR ≤1.45
- 2 Environmental&Mechanical
 - 2.1 Temperature range -45℃~+125℃
 - 2.2 RoHs Compliant
 - 2.3 Durability >500 cycles
- 3 Materials&plating
 - 3.1 Body: Brass, gold plated
 - 3.2 Insulator: Teflon
 - 3.3 Contact Pin: Brass, gold plated
 - 3.4 Nut: Brass, gold plated
 - 3.5 Gasket: Silicon Rubber





Recommended Cable Stripping Dimension



- Notes:
- 1. ALL SPECIFICATIONS ARE SUBJECT TO CHANGE NOTICE AT ANY TIME
 - 2. CUSTOMER OUTLINE DRAWING FOR REFERENCE ONLY

REV	DESCRIPTION OF REVISION	ECN NO.	BY	DATE	APPROVED
A	Initial Release		T. Haiyun	23/5/14	23/5/14

DATE : T. Haiyun 25/5/14	TITLE: RF Coaxial Connector		 www.rfconnector-china.com
DESIGNER : C. Tao 25/5/14	SMA Male Conn. for 1.13/ 1.32/1.37 Cable		
APPROVER : W. Qiang 25/5/14	DIMENSION IN MILLIMETERS (mm)		
TOLERANCES UNLESS OTHERWISE SPECIFIED	X ±0.50 .X ±0.20 .XX ±0.10 ANGLES ±1°		
DATE: A4 DRAWN: N/A CHECK: 1/1 APPR: A		PART NO.: SMA-JBL-37	