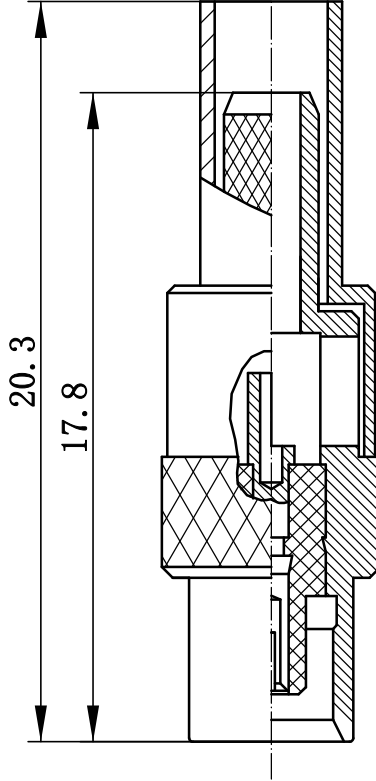
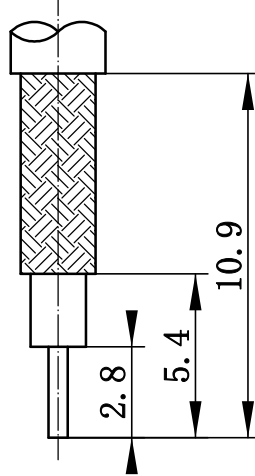


This document contains proprietary information and such information may not be disclosed to others for any purposes, not used for sales/marketing/procurement purposes without written permission

- 1 Electrical
 - 1.1 Impedance 50 Ω
 - 1.2 Frequency DC-3GHz
 - 1.3 Dielectric withstanding voltage 750V (volts RMS)
 - 1.4 Center contact resistance ≤ 5MΩ
 - 1.5 Outer contact resistance ≤ 2.5MΩ
 - 1.6 Insulation resistance: ≥1000MΩ
- 2 Environmental & Mechanical
 - 2.1 Temperature range -45°C ~ 125°C
 - 2.2 RoHS Compliant
 - 2.3 Durability >500 cycles
- 3 Materials & Finish
 - 3.1 Body: Brass, Gold plated
 - 3.2 Insulator: Teflon
 - 3.3 Contact Pin: Beryllium copper, gold plated



Cable Stripping Dimension



Notes:

- 1. ALL SPECIFICATIONS ARE SUBJECT TO CHANGE NOTICE AT ANY TIME
- 2. CUSTOMER OUTLINE DRAWING FOR REFERENCE ONLY

DRAWN: T. Shihua 12/07/06

ENGINEER: C. Tao 12/07/06

APPROVED: W. Qiang 12/07/06

TOLERANCES UNLESS OTHERWISE SPECIFIED

X ±0.50

.X ±0.20

.XX ±0.10

ANGLES ±1°

TITLE:

RF Coaxial Connector

MCX male Str. Conn.
For RG316/RG174 cable

PART NO: MCX-RSCA



DIMENSION IN MILLIMETERS (mm)

SIZE: A4

SCALE: N/A

SHEET: 1/1

REV: A