

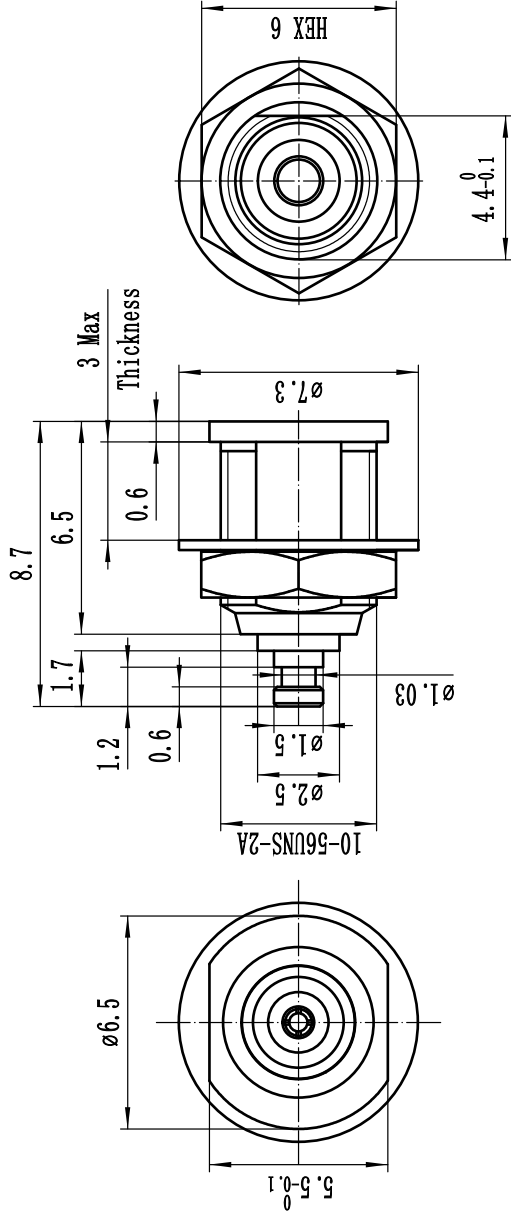
This document contains proprietary information and such information may not be disclosed to others for any purposes, not used for sales/marketing/procurement purposes without written permission

REV	DESCRIPTION OF REVISION	TEL NO.	BY	DATE	APPROVED
A	Initial Release		T. Shihua	04/03/2022	04/03/2022

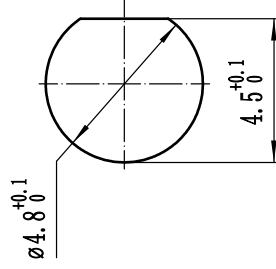
1. Electrical
 - 1.1 Impedance 50 Ω
 - 1.2 Frequency DC~6 GHz
 - 1.3 Dielectric withstanding voltage 750V (volts RMS)
 - 1.4 Center contact resistance ≤ 5mΩ
 - 1.5 Outer contact resistance ≤ 2.5mΩ
 - 1.6 Insulation resistance: ≥ 1000MΩ
 - 1.7 VSWR 1.30:1

2. Environmental&Mechanical
 - 2.1 Temperature range -45°C~125°C
 - 2.2 RoHS Compliant
 - 2.3 Durability >500 cycles

3. Materials&Finish
 - 3.1 Body: Bronze, Gold plated
 - 3.2 Insulator: Teflon
 - 3.3 Contact Pin: Beryllium copper, Gold plated
 - 3.4 Nut: Brass, Gold plated
 - 3.5 Toothed washer: Brass, Gold plated



Recommended Panel Cutout



Notes:

1. ALL SPECIFICATIONS ARE SUBJECT TO CHANGE NOTICE AT ANY TIME
2. CUSTOMER OUTLINE DRAWING FOR REFERENCE ONLY

DRAWN: T. Shihua 26/05/2022	TITLE	
ENGINEER: C. Tao 26/05/2022	RF Coaxial Connector	
APPROVED: W. Qiang 26/05/2022	DIMENSION IN MILLIMETERS (mm)	
TOLERANCES UNLESS OTHERWISE SPECIFIED	SCALE: 4.5:1	
X ±0.50	SIZE: A4	
.X ±0.20	SHEET: 1/1	
.XX ±0.10	REV: VA	
ANGLES ±1°	PART NO: MCX-KYD-T	



www.f-cone.com.cn



DIMENSION IN MILLIMETERS (mm)

SCALE: 4.5:1
SHEET: 1/1
REV: VA