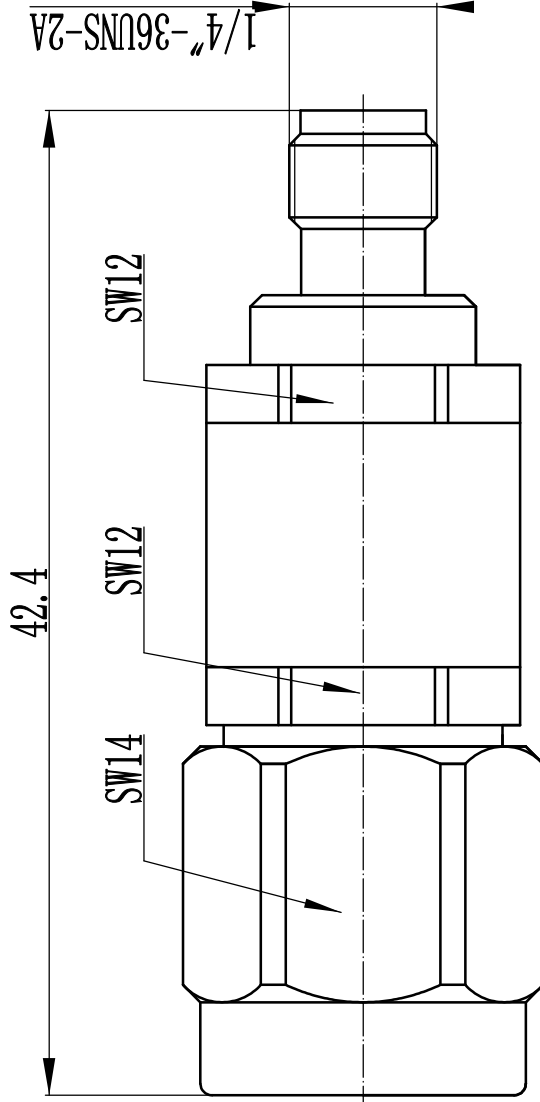


This document contains proprietary information and such information may not be disclosed to others for any purposes, not used for sales/marketing/procurement purposes without written permission

REV	DESCRIPTION OF REVISION	ECN NO.	BY	DATE	APPROVED
A	Initial Release		T. Shihua	26/8/16	26/8/16



- 1 Electrical
 - 1.1 Impedance: 50 Ω
 - 1.2 Frequency: DC-18GHz
 - 1.3 VSWR: 125:1
- 2 Mechanical&Environmental
 - 2.1 Temperature range -45°C ~+125°C
 - 2.2 Durability(matings) >500
 - 2.3 RoHs Compliant Yes
- 3 Material&Finish
 - 3.1 Pin contact: Beryllium-Copper, gold plated
 - 3.2 Body: Stainless Steel(SU303), Passivated
 - 3.3 Insulators: Teflon
- 4 Interface Standards
 - 4.1 SMA MIL-STD-348A
 - 4.1 TNCA MIL-STD-348A

Notes:

1. ALL SPECIFICATIONS ARE SUBJECT TO CHANGE NOTICE AT ANY TIME
2. CUSTOMER OUTLINE DRAWING FOR REFERENCE ONLY

DRAWN: T. Shihua 26/8/16		TITLE: Precision Adapter		www.tenulab.com	
ENGINEER: C. Tao 26/8/16		TNC Male to SMA Female Adaptor		DIMENSION IN MILLIMETERS (mm)	
APPROVED: W. Qiang 26/8/16		PART NO: TNCA/SMA-JKG		SCALE: N/A	
TOLERANCES UNLESS OTHERWISE SPECIFIED		SIZE: A4		SHEET: 1/1	
X	+0.50	REV: A			
.X	+0.20				
.XX	+0.10				
ANGLES	*°				

