

This document contains proprietary information and such information may not be disclosed to others for any purposes, not used for sales/marketing/procurement purposes without written permission

1 Electrical

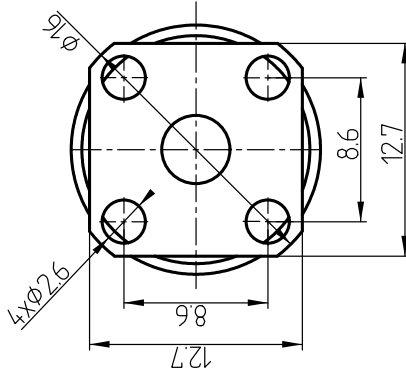
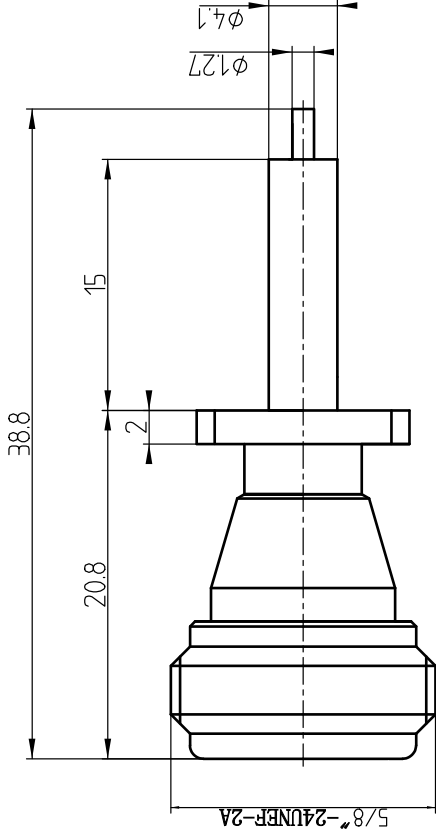
- 1.1 Impedance: 50 Ω
- 1.2 Frequency: DC-18GHz
- 1.3 VSWR: <1.20@6GHz

2 Mechanical&Environmental



- 2.1 Temperature range -55°C ~+125°C
- 2.2 Durability(matings) >500
- 2.3 RoHs Compliant Yes

3 Material&Finish

- 3.1 Pin contact: Beryllium-Copper, gold plated
- 3.2 Body: Stainless Steel(SU303), Passivated
- 3.3 Insulators: PTFE/PEI



REV	DESCRIPTION OF REVISION	TEL NO.	BY	DATE	APPROVED
A	Initial Release		T. Shihua	29/9/16	29/9/16

 www.rfconnectorchina.com		 DIMENSION IN MILLIMETERS (mm)	
<b>RF Coaxial Connector</b>		<b>N Female Flange Conn. For Terminal</b>	
DATE: 29/9/16	DESIGNER: A4	DATE: N/A	APPROVED: 1/1
TITLE: RF Coaxial Connector		N - K F D T G D	
DRAWN BY: T. Shihua 29/9/16	CHECKED BY: C. Tao 29/9/16	APPROVED BY: W. Qiang 29/9/16	
TOLERANCES UNLESS OTHERWISE SPECIFIED			
X ±0.50			
XX ±0.20			
XXX ±0.10			
ANGLES ±1°			

- Notes:
- 1. ALL SPECIFICATIONS ARE SUBJECT TO CHANGE NOTICE AT ANY TIME
  - 2. CUSTOMER OUTLINE DRAWING FOR REFERENCE ONLY