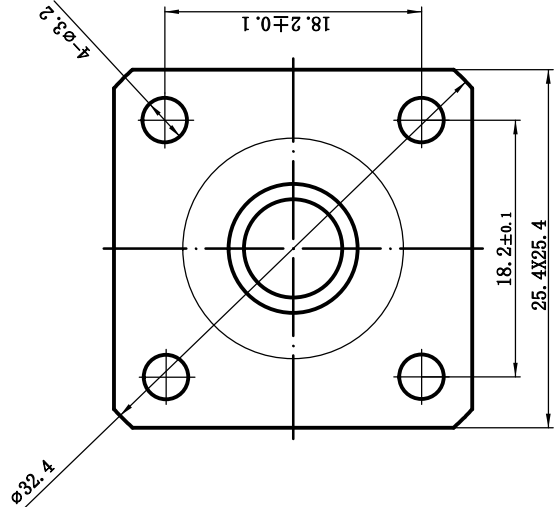
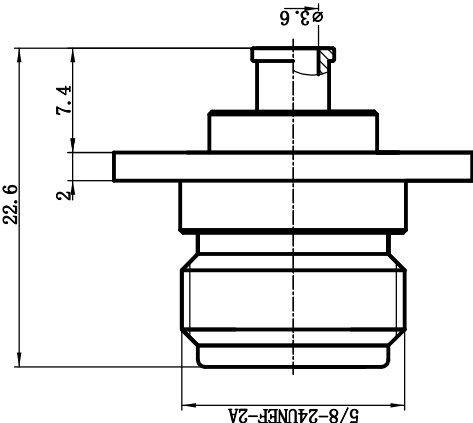


This document contains proprietary information and such information may not be disclosed to others for any purposes, not used for sales/marketing/procurement purposes without written permission



- 1. Electrical
  - 1.1 Impedance 50 Ω
  - 1.2 Frequency DC~6GHz
  - 1.3 Dielectric withstanding voltage 1500V (volts RMS)
  - 1.4 Center contact resistance ≤ 1MΩ
  - 1.5 Outer contact resistance ≤ 0.2MΩ
  - 1.6 Insulation resistance ≥5000MΩ
  - 1.7 VSWR ≤1.25
- 2. Environmental/Mechanical
  - 2.1 Temperature range -45°C~125°C
  - 2.2 RoHS Compliant
  - 2.3 Durability >500 cycles
- 3. Materials/Plating
  - 3.1 Body: Brass, nickel plated
  - 3.2 Insulator: Teflon
  - 3.3 Contact Pin: Bronze, Gold plated

REV	DESCRIPTION OF REVISION	ECN NO.	BY	DATE	APPROVED
A	Initial Release		T. Shihua	07/04/16	07/04/16

Notes:  
 1. ALL SPECIFICATIONS ARE SUBJECT TO CHANGE NOTICE AT ANY TIME  
 2. CUSTOMER OUTLINE DRAWING FOR REFERENCE ONLY

DRAWN: T. Shihua 07/04/16		TITLE: RF Coaxial Connector	
ENGINEER: C. Tao 07/04/16		www.terujia.com	
APPROVED: W. Qiang 07/04/16		DIMENSION IN MILLIMETERS (mm)	
TOLERANCES UNLESS OTHERWISE SPECIFIED			
X	±0.50	SIZE: A4	SCALE: N/A
.X	±0.20	SHEET: 1/1	REV: A
.XX	±0.10	PART NO: N-KFB3C	
ANGLES ±1°			