

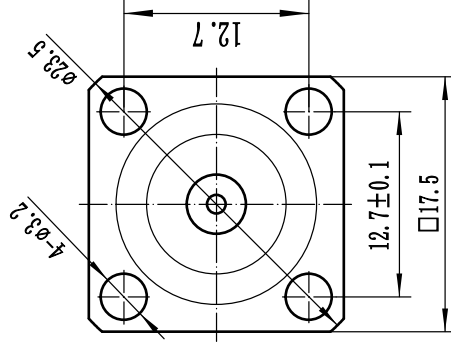
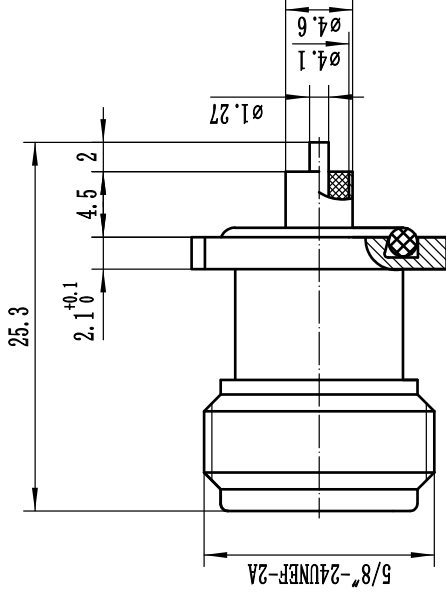
This document contains proprietary information and such information may not be disclosed to others for any purposes, not used for sales/marketing/procurement purposes without written permission

## 1 Electrical

- 1.1 Impedance:  $50 \Omega$
- 1.2 Frequency: DC~6GHz
- 1.3 VSWR:  $\leq 1.25$
- 1.4 Insulation resistance:  $\geq 5000M \Omega$
- 1.5 Dielectric strength: 1500V
- 1.6 Contact resistance
  - Center contact  $\leq 1.5M \Omega$
  - Outer contact  $\leq 0.2M \Omega$

## 2 Materials&Finish



- 2.1 Inner Contact: Bronze, Gold plated
- 2.2 Outer Contact: Brass, Nickel plated
- 2.3 Insulators: PTFE



### Notes:

- 1. ALL SPECIFICATIONS ARE SUBJECT TO CHANGE NOTICE AT ANY TIME
- 2. CUSTOMER OUTLINE DRAWING FOR REFERENCE ONLY

REV	DESCRIPTION OF REVISION	TEL NO.	BY	DATE	APPROVED
A	Initial Release		T. Shihua	01/03/2022	01/03/2022

DRAWN:	T. Shihua 01/03/2022	 www.rf-connector-china.com							
ENGINEER:	C. Tao 01/03/2022								
APPROVED:	W. Qiang 201/03/2022	 DIMENSION IN MILLIMETERS (mm)							
TOLERANCES UNLESS OTHERWISE SPECIFIED									
X	$\pm 0.50$	SIZE:	A4	SCALE:	2:1	SHEET:	1/1	REV:	VA
.X	$\pm 0.20$	PART NO:		N-KFD1014M		RF Coaxial Connector			
.XX	$\pm 0.10$	TITLE		N Female Connector Terminal					
ANGLES	$\pm 1^\circ$	PART NO:		N-KFD1014M					