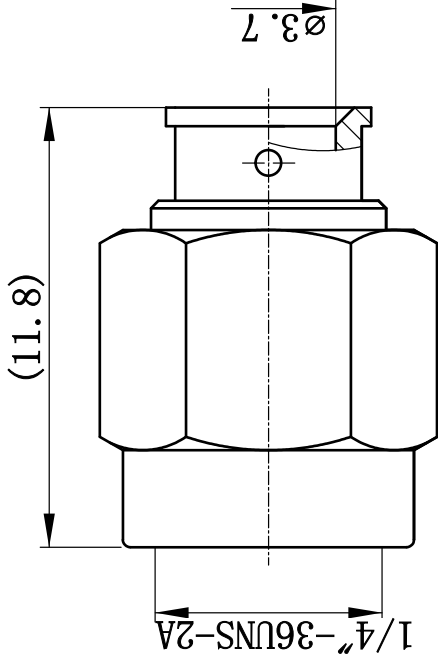
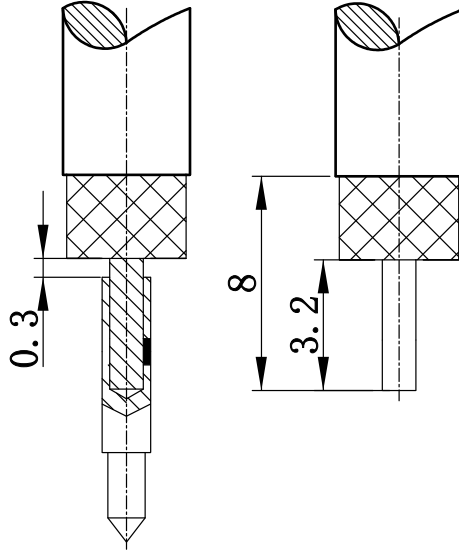


This document contains proprietary information and such information may not be disclosed to others for any purposes, not used for sales/marketing/procurement purposes without written permission

REV	DESCRIPTION OF REVISION	ECN NO.	BY	DATE	APPROVED
A	Initial Release		T. Shihua	12/7/13	12/7/13



Recommended Cable Stripping Dimension



- 1 Electrical
  - 1.1 Impedance 50 Ω
  - 1,2 Frequency DC-18GHz
  - 1.2 Dielectric withstanding voltage 1000V (volts RMS)
  - 1.3 Center contact resistance ≤ 3MΩ
  - 1.4 Outer contact resistance ≤ 2MΩ
  - 1.5 Insulation resistance ≥ 5000MΩ
  - 1.6 VSWR ≤ 1.20@6GHz

- 2 Environmental&Mechanical
  - 2.1 Temperature range -45°C ~ 125°C
  - 2.2 RoHS Compliant
  - 2.3 Durability > 500 cycles

- 3 Materials&plating
  - 3.1 Body: Brass, Gold plated
  - 3.2 Insulator: Teflon
  - 3,3 Contact Pin: Brass Gold plated
  - 3.4 Nut: Brass, Gold plated

DATE : T. Shihua 12/07/13	TITLE: RF Coaxial Connector		www.rf-connector-china.com	
DESIGNER : C. Tao 12/07/13	SMA Male Conn. For 141/RG402 Cable		DIMENSION IN MILLIMETERS (mm)	
APPROVER : W. Qiang 12/07/13	ISMA-JB3A-1		1/1	
TOLERANCES UNLESS OTHERWISE SPECIFIED	A4		N/A	
X ±0.50	A4		N/A	
.X ±0.20	A4		N/A	
.XX ±0.10	A4		N/A	
ANGLES ±1°	A4		N/A	

Notes:  
 1. ALL SPECIFICATIONS ARE SUBJECT TO CHANGE NOTICE AT ANY TIME  
 2. CUSTOMER OUTLINE DRAWING FOR REFERENCE ONLY