

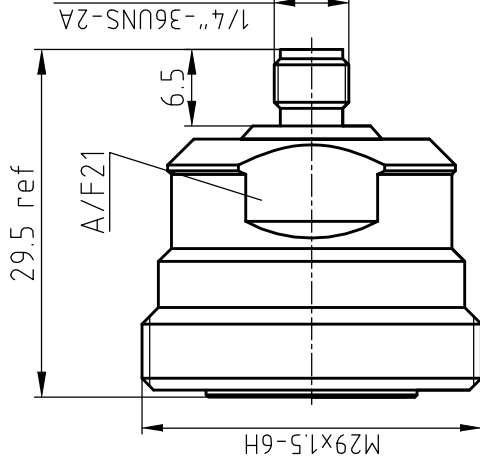
This document contains proprietary information and such information may not be disclosed to others for any purposes, not used for sales/marketing/procurement purposes without written permission

1 Electrical

- 1.1 Impedance: $50\ \Omega$
- 1.2 Frequency: DC~7.5GHz
- 1.3 VSWR: $\leq 1.15@3\text{GHz}$
- 1.4 Insulation resistance: $\geq 10000\text{M}\ \Omega$
- 1.5 Dielectric strength: 1500V
- 1.6 Contact resistance
 - Center contact $\leq 2.0\text{M}\ \Omega$
 - Outer contact $\leq 0.4\text{M}\ \Omega$
- 1.7 PIM $\leq -160\text{dBc}$ (2x43dBm)

2 Materials&Finish

- 2.1 Inner Contact: Phosphor, Silver Plated
- 2.2 Body: Brass, Suco-Plated
- 2.3 Insulators: PTFE



Notes:

- 1. ALL SPECIFICATIONS ARE SUBJECT TO CHANGE NOTICE AT ANY TIME
- 2. CUSTOMER OUTLINE DRAWING FOR REFERENCE ONLY

REV	DESCRIPTION OF REVISION	TEL NO.	BY	DATE	APPROVED
A	Initial Release		T. Shihua	23/03/2022	23/03/2022

DRAWN:	T. Shihua 23/03/2022	TITLE	
ENGINEER:	C. Tao 23/03/2022	RF Coaxial Adaptor	
APPROVED:	W. Qiang 23/03/2022	L29 Female to SMA Female	
TOLERANCES UNLESS OTHERWISE SPECIFIED		PART NO.: L29/SMA-KK	
.X ± 0.50		SIZE: A4	SCALE: 1:1
.XX ± 0.20		SIZE: 1:1	SCALE: 1:1
ANGLES $\pm 1^\circ$		SIZE: 1:1	SCALE: 1:1
		SIZE: 1:1	SCALE: 1:1



www.rf-connector-china.com



DIMENSION IN MILLIMETERS (mm)

SIZE: A4 SCALE: 1:1 SHEET: 1/1 REV: VA