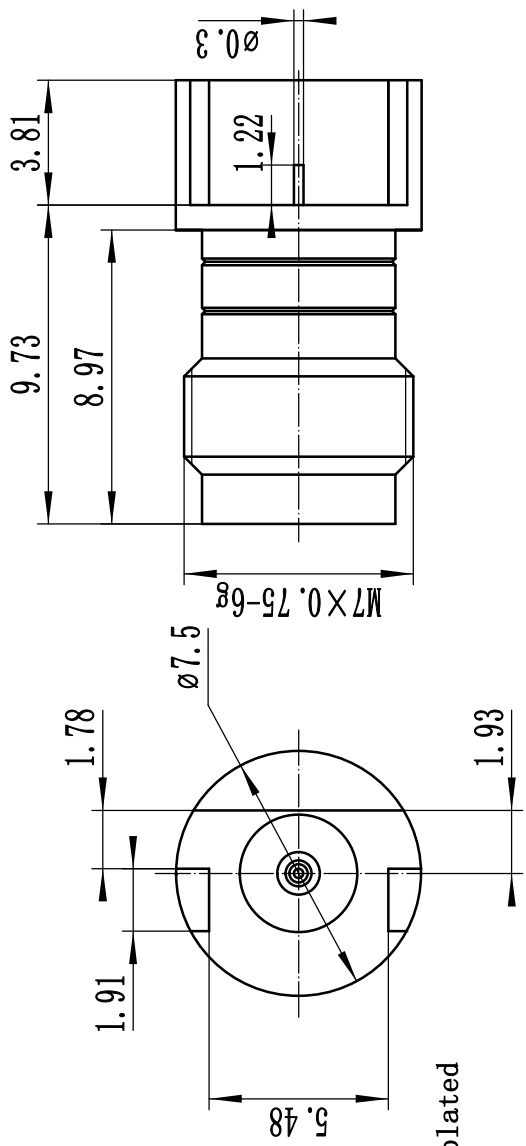


This document contains proprietary information and such information may not be disclosed to others for any purposes, not used for sales/marketing/procurement purposes without written permission

- 1 Electrical
 - 1.1 Impedance: 50 Ω
 - 1.2 Frequency: DC~65GHz
 - 1.3 VSWR: 1.40:1
 - 1.4 Insertion Loss: 0.3dB max
- 2 Mechanical&Environmental
 - 2.1 Temperature range -45°C~+125°C
 - 2.2 Durability(matings) >500
 - 2.3 RoHs Compliant Yes
- 3 Material&Finish
 - 3.1 Pin contact: Beryllium-Copper, gold plated
 - 3.2 Body: Brass, gold plated
 - 3.3 Insulators: PEI
- 4 Interface Standards
 - 4.1 1.85 MIL-STD-348A



Notes:
 1. ALL SPECIFICATIONS ARE SUBJECT TO CHANGE NOTICE AT ANY TIME
 2. CUSTOMER OUTLINE DRAWING FOR REFERENCE ONLY

REV	DESCRIPTION OF REVISION	REL NO.	BY	DATE	APPROVED
A	Initial Release		T. Shihua	15/03/2022	15/03/2022

DRAWN: T. Shihua 15/03/2022		ENGINEER: C. Tao 15/03/2022		APPROVED: W. Qiang 15/03/2022	
TOLERANCES UNLESS OTHERWISE SPECIFIED					
X	±0.50				
.X	±0.20				
.XX	±0.10				
ANGLES	±1°				

TITLE		RF Coaxial Connector		www.rf-connector-china.com	
1.85 Female PCB Mount Connector					
PART NO:	1.85-KHT0.3	SCALE:	4.5:1	SHEET:	1/1
SIZE:	A4	REV:	1/1	REV:	VA