

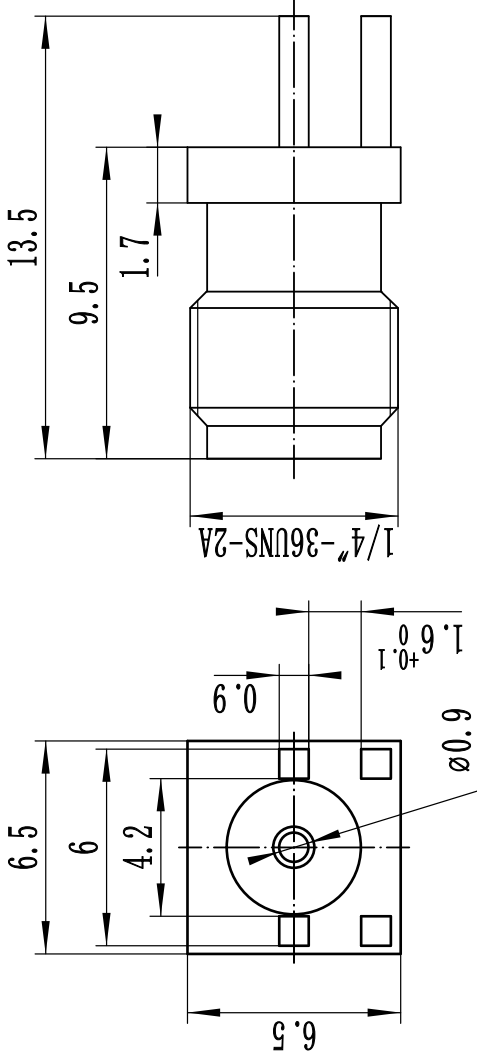
This document contains proprietary information and such information may not be disclosed to others for any purposes, not used for sales/marketing/procurement purposes without written permission

1 Electrical

- 1.1 Impedance: $50\ \Omega$
- 1.2 Frequency: DC~18GHz
- 1.3 VSWR: $\leq 1.20@6\text{GHz}$
- 1.4 Insulation resistance: $\geq 5000\text{M}\ \Omega$
- 1.5 Dielectric strength: 1000V
- 1.6 Contact resistance
 - Center contact $\leq 3.0\text{M}\ \Omega$
 - Outer contact $\leq 2.0\text{M}\ \Omega$

2 Materials&Finish



- 2.1 Inner Contact: Beryllium-Copper, Gold plated
- 2.2 Outer Contact: Brass, Gold plated
- 2.3 Insulators: PTFE



REV	DESCRIPTION OF REVISION	TEL. NO.	BY	DATE	APPROVED
A	Initial Release		T. Shihua	17/02/2022	17/02/2022

Notes:

- 1. ALL SPECIFICATIONS ARE SUBJECT TO CHANGE NOTICE AT ANY TIME
- 2. CUSTOMER OUTLINE DRAWING FOR REFERENCE ONLY

DRAWN:	T. Shihua 17/02/2022	TITLE	RF Coaxial Connector
ENGINEER:	C. Tao 17/02/2022	 www.cabl.com.cn	
APPROVED:	W. Qiang 17/02/2022	 DIMENSION IN MILLIMETERS (mm)	
TOLERANCES UNLESS OTHERWISE SPECIFIED		PART NO: SMA-KHDC3A	
X	± 0.50	SIZE:	A4
.X	± 0.20	SCALE:	4.5:1
.XX	± 0.10	SHEET:	1/1
ANGLES	$\pm 1^\circ$	REV:	VA