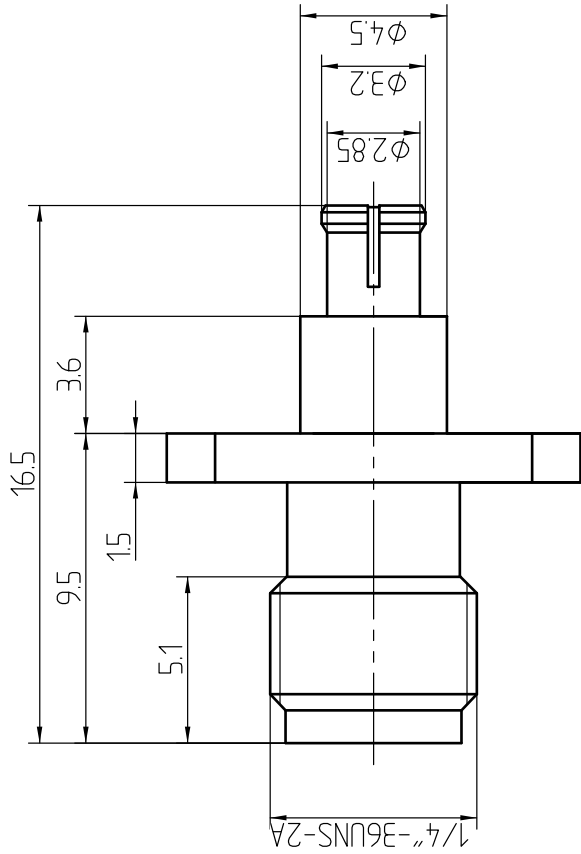
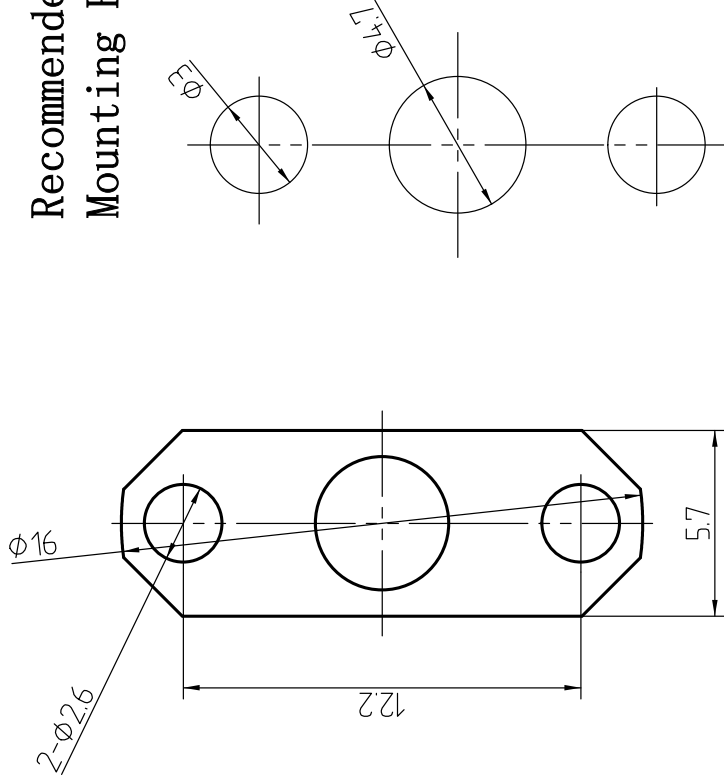


This document contains proprietary information and such information may not be disclosed to others for any purposes, not used for sales/marketing/procurement purposes without written permission

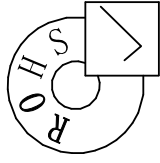


1. Electrical
  - 1.1 Impedance: 50ohm
  - 1.2 Frequency: DC-18GHz
  - 1.3 VSWR: 1:1+0.02F
  - 1.4. Insulation resistance:  $\geq 50000M\Omega$
  - 1.5 Dielectric withstanding voltage: 500V(rms)
  - 1.6 Center Contact resistance  $\leq 3M\Omega$
  - 1.7 Outer contact  $\leq 2M\Omega$

## Recommended Mounting Hole



- 2 Material&Finish
  - 2.1 Inner Contact: Beryllium copper, gold plated
  - 2.2 Outer Contact: brass, gold plated
  - 2.3 Insulators: PTFE
  - 2.4 Spring Contact: Beryllium copper, gold plated



Notes:

1. ALL SPECIFICATIONS ARE SUBJECT TO CHANGE NOTICE AT ANY TIME
2. CUSTOMER OUTLINE DRAWING FOR REFERENCE ONLY

REV	DESCRIPTION OF REVISION	ECN NO.	BY	DATE	APPROVED
A	Initial Release		T. Shihua	16/06/15	16/06/15

DATE : T. Shihua 16/06/15	TITLE:
DESIGNER : C. Tao 16/06/15	RF Connector Connector
APPROVED : W. Qiang 16/06/15	SMA Female to SMP Female Adapter
TOLERANCES UNLESS OTHERWISE SPECIFIED	SIZE: A4
X ±0.50	SCALE: N/A
.X ±0.20	SHEET: 1/1
.XX ±0.10	APP: A
ANGLES ±°	



DIMENSION IN MILLIMETERS (mm)