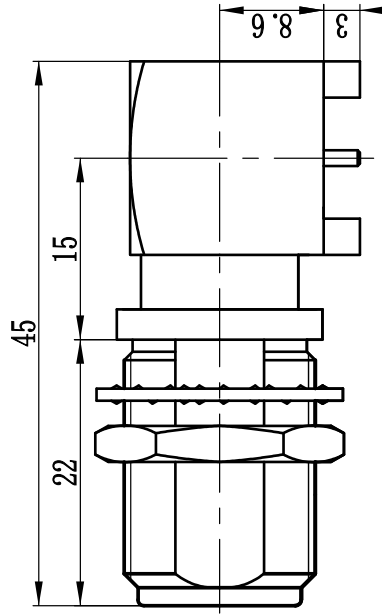
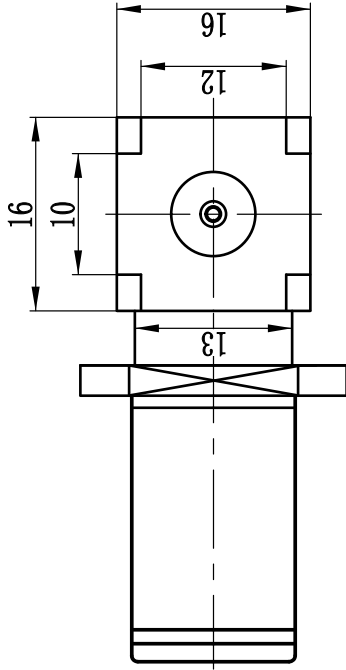
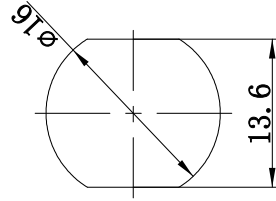


This document contains proprietary information and such information may not be disclosed to others for any purposes, not used for sales/marketing/procurement purposes without written permission

REV	DESCRIPTION OF REVISION	TOL. NO.	BY	DATE	APPROVED
A	Initial Release		T. Shihua	29/9/16	29/9/16



Recommended Mounting Hole



## 1 Electrical

- 1.1 Impedance: 50Ω
- 1.2 Frequency: 0-6GHz
- 1.3 Insulation resistance: ≥5000MΩ
- 1.4 Dielectric strength: 1500V
- 1.5 Contact resistance
  - Center contact ≤ 1MΩ
  - Outer contact ≤ 0.2MΩ

## 2 Materials&Finish

- 2.1 Inner Contact: Bronze, Gold plated
- 2.2 Outer Contact: Brass, Nickel plated
- 2.3 Insulators: PTFE

Notes:

- 1. ALL SPECIFICATIONS ARE SUBJECT TO CHANGE NOTICE AT ANY TIME
- 2. CUSTOMER OUTLINE DRAWING FOR REFERENCE ONLY

DRAWN: T. Shihua 29/9/16

ENGINEER: C. Tao 29/9/16

APPROVED: H. Qiang 29/9/16

TOLERANCES UNLESS OTHERWISE SPECIFIED

- X ±0.50
- .X ±0.20
- .XX ±0.10
- ANGLES ±1°

TITLE:

RF Coaxial Connector

N Female Bulkhead R/A Conn. PCB Mount

PART NO: N-KYWHDB

SIZE: A4

SCALE: N/A

SHEET: 1/1

REV: A



www.carlconnect.com



DIMENSION IN MILLIMETERS (mm)