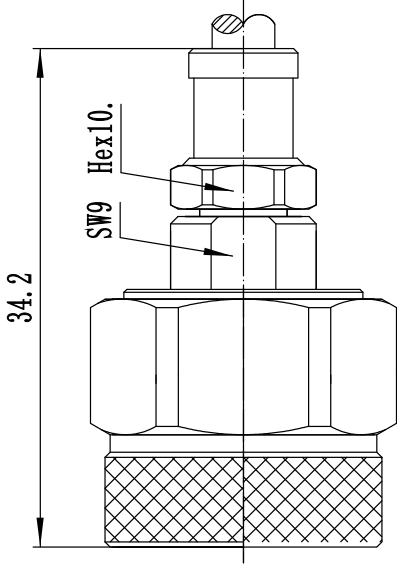


This document contains proprietary information and such information may not be disclosed to others for any purposes, not used for sales/marketing/procurement purposes without written permission

- 1 Electrical
 - 1.1 Impedance 50 Ω
 - 1.2 Frequency DC~18GHz
 - 1.3 Dielectric withstanding voltage 1500V(volts RMS)
 - 1.4 Insulation resistance: >5000MΩ
 - 1.5 VSWR <1.30
- 2 Environmental&Mechanical
 - 2.1 Temperature range -55℃~125℃
 - 2.2 RoHs Compliant Yes
 - 2.3 Durability >500 cycles
- 3 Materials&Finish
 - 3.1 Body: Brass, Suco- plated
 - 3.2 Insulator: Teflon
 - 3.3 Contact Pin: Brass, Gold plated
 - 3.4 Couoling Nut: Stainless Steel, Passivated
 - 3.5 Gasket: Silicone Rubber



Notes:

- 1. ALL SPECIFICATIONS ARE SUBJECT TO CHANGE NOTICE AT ANY TIME
- 2. CUSTOMER OUTLINE DRAWING FOR REFERENCE ONLY

REV	DESCRIPTION OF REVISION	TEL NO.	BY	DATE	APPROVED
A	Initial Release		T. Shihua	25/03/2022	25/03/2022

DRAWN: T. Shihua 25/03/2022		TITLE	
ENGINEER: C. Tao 25/03/2022	RF Coaxial Connector		
APPROVED: W. Qiang 25/03/2022	N Male For RG402/.141/Tflex141 Cable		
TOLERANCES UNLESS OTHERWISE SPECIFIED	DIMENSION IN MILLIMETERS (mm)		
X ±0.50	SIZE: A4		
.X ±0.20	SCALE: 2:1		
.XX ±0.10	SHEET: 1/1		
ANGLES ±1°	REV: VA		
PART NO: N-JB141A-FG	www.rf-connector-china.com		