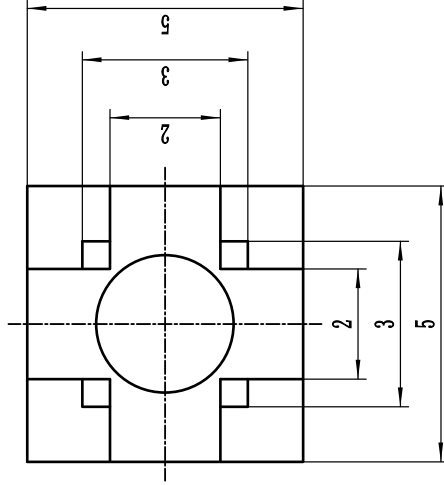
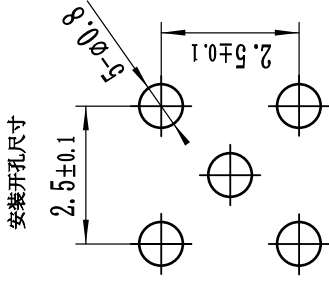
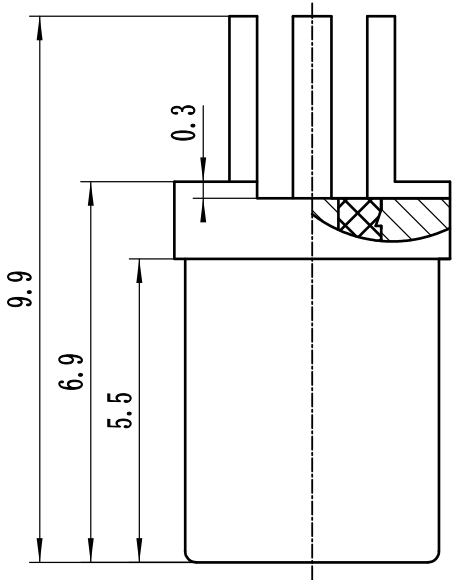


This document contains proprietary information and such information may not be disclosed to others for any purposes, not used for sales/marketing/procurement purposes without written permission



- 1 Electrical
 - 1.1 Impedance 50 Ω
 - 1.2 Frequency DC~6 GHz
 - 1.3 Dielectric withstanding voltage 750V (volts RMS)
 - 1.4 Center contact resistance ≤ 5MΩ
 - 1.5 Outer contact resistance ≤ 2.5MΩ
 - 1.6 Insulation resistance: ≥ 1000MΩ
 - 1.7 VSWR 1.30:1
- 2 Environmental&Mechanical
 - 2.1 Temperature range -45°C~125°C
 - 2.2 RoHS Compliant
 - 2.3 Durability >500 cycles
- 3 Materials&Finish
 - 3.1 Body: Brass, Gold plated
 - 3.2 Insulator: Teflon
 - 3.3 Contact Pin: Beryllium copper, Gold plated

REV	DESCRIPTION OF REVISION	TEL NO.	BY	DATE	APPROVED
A	Initial Release		T. Shihua	04/03/2022	04/03/2022

Notes:

1. ALL SPECIFICATIONS ARE SUBJECT TO CHANGE NOTICE AT ANY TIME
2. CUSTOMER OUTLINE DRAWING FOR REFERENCE ONLY

DRAWN: T. Shihua 26/05/2022	ENGINEER: C. Tao 26/05/2022	APPROVED: W. Qiang 26/05/2022	TOLERANCES UNLESS OTHERWISE SPECIFIED
		X ±0.50	.X ±0.20
		.XX ±0.10	ANGLES ±1°
TITLE		DIMENSION IN MILLIMETERS (mm)	
RF Coaxial Connector		www.rf-connectr-china.com	
MCX Female Conn. PCB Mount		SIZE: A4	SCALE: 4.5:1
PART NO: MCX-KHD15		SHEET: 1/1	REV: VA

