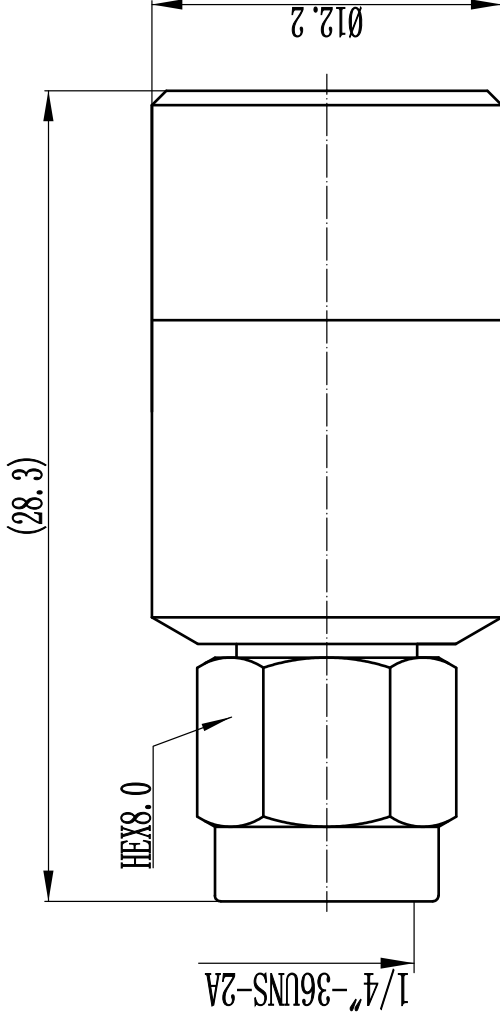


This document contains proprietary information and such information may not be disclosed to others for any purposes, not used for sales/marketing/procurement purposes without written permission




- 1 Electrical
  - 1.1 Impedence 50 Ω
  - 1.2 Frequency DC~6GHz
  - 1.3 VSWR 1.20:1
- 2 Environmental&Mechanical
  - 2.1 Temperature range -40℃~+125℃
  - 2.2 RoHs Compliant >500 cycles
  - 2.3 Durability
- 3 Materials&plating
  - 3.1 Body: Brass, Suco-plated
  - 3.2 Insulator: Teflon
  - 3.3 Contact Pin: Bronze, gold plated
  - 3.4 Nut: Stainless Steel, Passivated

REV	DESCRIPTION OF REVISION	ECN NO.	BY	DATE	APPROVED
A	Initial Release		T. Haiyuu	23/5/14	23/5/14


Notes:

1. ALL SPECIFICATIONS ARE SUBJECT TO CHANGE NOTICE AT ANY TIME
2. CUSTOMER OUTLINE DRAWING FOR REFERENCE ONLY

DRAWN : T. Haiyuu 25/5/14	TITLE: RF TERMINATION
ENGINEER: C. Tao 25/5/14	SMA Male Conn. Termination 2W
APPROVED : W. Qi Tang 25/5/14	PART NO: SMA-50JR-2
TOLERANCES UNLESS OTHERWISE SPECIFIED	SIZE: A4
X ±0.50	SCALE: N/A
.X ±0.20	SHEET: 1/1
.XX ±0.10	REV: A
ANGLES *°	



www.qpl.com



DIMENSION IN MILLIMETERS (mm)