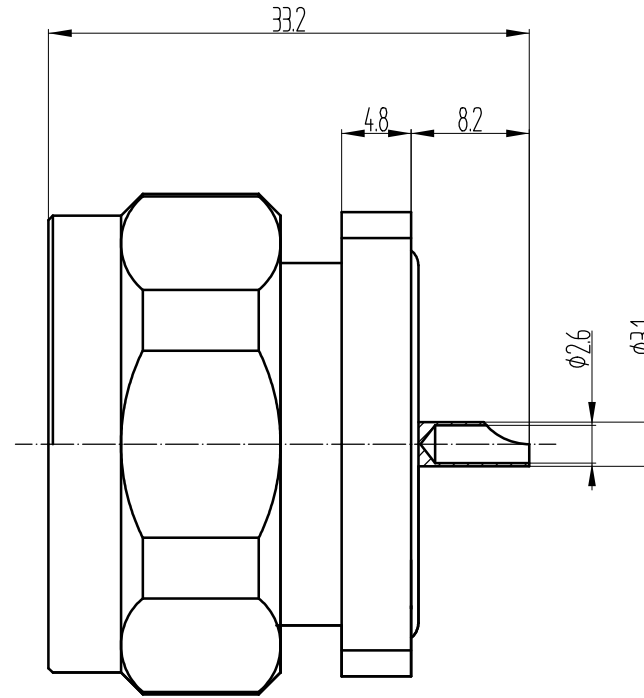
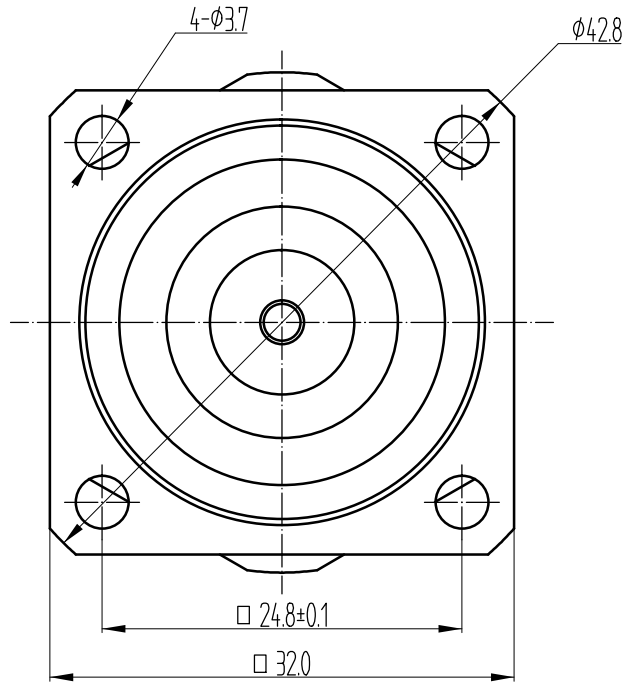


This document contains proprietary information and such information may not be disclosed to others for any purposes, not used for sales/marketing/procurement purposes without written permission

REV	DESCRIPTION OF REVISION	ECN NO.	BY	DATE	APPROVED
A	Initial Release	—	T.Shihua	09/02/17	09/02/17



1 Technical Data

- 1.1 Impedance 50 Ω
- 1.2 Frequency DC~6GHz
- 1.3 VSWR <1.30:1

2 Environmental&Mechanical


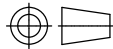
- 2.1 Temperature range -45℃~125℃
- 2.2 RoHS Compliant
- 2.3 Durability >500 cycles

3 Materials&plating

- 3.1 Body: Brass, Suco-plated
- 3.2 Insulator: Teflon
- 3.3 Contact Pin: Brass, Gold plated
- 3.4 Gasket: Silicon Rubber(Red Color)
- 3.5 Coupling Nut: Brass, Suco-plated

Notes:

- 1.ALL SPECIFICATIONS ARE SUBJECT TO CHANGE NOTICE AT ANY TIME
- 2.CUSTOMER OUTLINE DRAWING FOR REFERENCE ONLY

DRAWN: T.Shihua 09/02/17	TITLE: RF Coaxial Connector Din Male Flange Connector Receptacle	 www.rf-connector-china.com			
ENGINEER: C.Tao 09/02/17					
APPROVED: W.Qiang 09/02/17		 DIMENSION IN MILLIMETERS (mm)			
TOLERANCES UNLESS OTHERWISE SPECIFIED	PART NO: Din-JFD1M	SIZE: A4	SCALE: N/A	SHEET: 1/1	REV: A