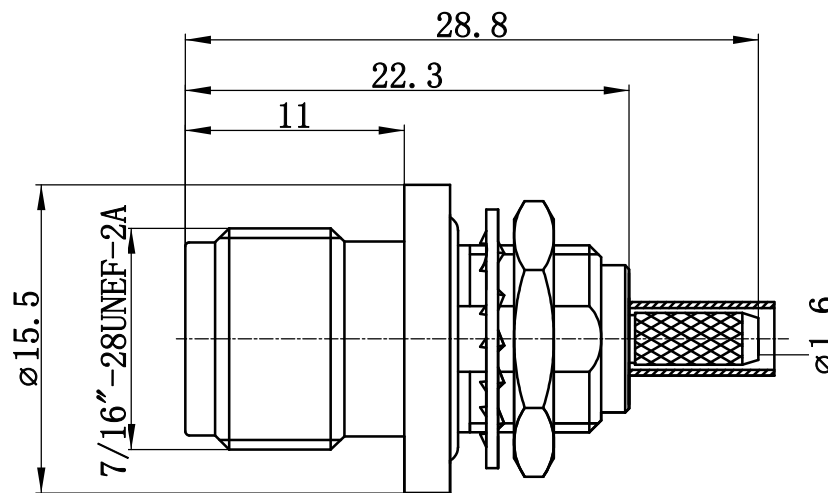


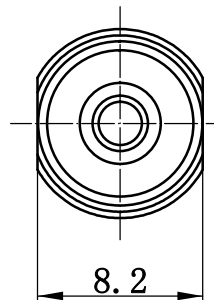
This document contains proprietary information and such information may not be disclosed to others for any purposes, not used for sales/marketing/procurement purposes without written permission

REV	DESCRIPTION OF REVISION	ECN NO.	BY	DATE	APPROVED
A	Initial Release	—	T.Haiyun	21/05/08	21/05/08

- 1 Electrical**
 - 1.1 Impedance 50 Ω
 - 1.2 Frequency DC~6GHz
 - 1.3 VSWR 1.25:1
- 2 Environmental&Mechanical**
 - 2.1 Temperature range -40℃~+125℃
 - 2.2 RoHS Compliant
 - 2.3 Durability >500 cycles
- 3 Materials&plating**
 - 3.1 Body: Brass; Suco-plated
 - 3.2 Insulator: Teflon
 - 3.3 Contact Pin: Bronze Gold plated
 - 3.4 Nut: Brass, Nickel plated
 - 3.5 Gasket: Silicon Rubber (red color)
 - 3.6 Washer Brass, Nickel plated





Recommended Mounting Hole



Notes:

- 1. ALL SPECIFICATIONS ARE SUBJECT TO CHANGE NOTICE AT ANY TIME
- 2. CUSTOMER OUTLINE DRAWING FOR REFERENCE ONLY

DRAWN: T.Haiyun 21/05/08	TITLE: RF Coaxial Connector TNC Female B/H Conn. for RG316 Cable	 www.rf-connector-china.com
ENGINEER: C.Tao 21/05/08		
APPROVED: W.Qiang 21/05/08		
TOLERANCES UNLESS OTHERWISE SPECIFIED		 DIMENSION IN MILLIMETERS (mm)
X ±0.50	PART NO: TNC-KY3YB	
.X ±0.20	SIZE: A4	SCALE: N/A
.XX ±0.10	SHEET: 1/1	REV: A
ANGLES ±1°		