

This document contains proprietary information and such information may not be disclosed to others for any purposes, not used for sales/marketing/procurement purposes without written permission

REV	DESCRIPTION OF REVISION	TRL NO.	BY	DATE	APPROVED
A	Initial Release	—	T. Shihua	26/04/2022	26/04/2022

1 Electrical

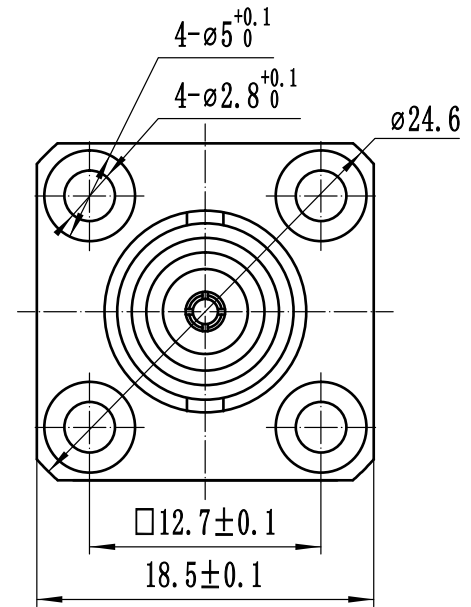
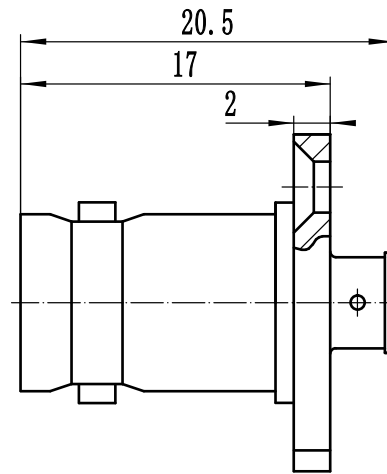
- 1.1 Impedence 50 Ω
- 1.2 Frequency DC~4.0GHz
- 1.3 Dielectric withstanding voltage 1500V(volts RMS)
- 1.4 Insulation resistance: >5000MΩ
- 1.5 VSWR <1.25:1
- 1.6 INSERTION LOSS ≤0.30dB

2 Environmental&Mechanical

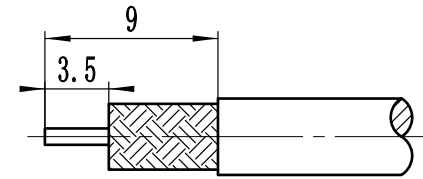
- 2.1 Temperature range -55℃~+125℃
- 2.2 RoHs Compliant Yes
- 2.3 Durability >500 cycles

3 Materials&Finish

- 3.1 Body: Brass, Nickel plated
- 3.2 Insulator: Teflon
- 3.3 Contact Pin: Brass, Gold plated





Recommended cable stripping dimensions



Notes:

- 1. ALL SPECIFICATIONS ARE SUBJECT TO CHANGE NOTICE AT ANY TIME
- 2. CUSTOMER OUTLINE DRAWING FOR REFERENCE ONLY

DRAWN: T. Shihua 26/04/2022 ENGINEER: C. Tao 26/04/2022 APPROVED: W. Qiang 26/04/2022	TITLE RF Coaxial Connector BNC Female For .141 Cable	 www.rf-connector-china.com  DIMENSION IN MILLIMETERS (mm)
TOLERANCES UNLESS OTHERWISE SPECIFIED X ±0.50 .X ±0.20 .XX ±0.10 ANGLES ±1°	PART NO: BNC-KFB3	
		SIZE: A4 SCALE: 2.5:1 SHEET: 1/1 REV: VA