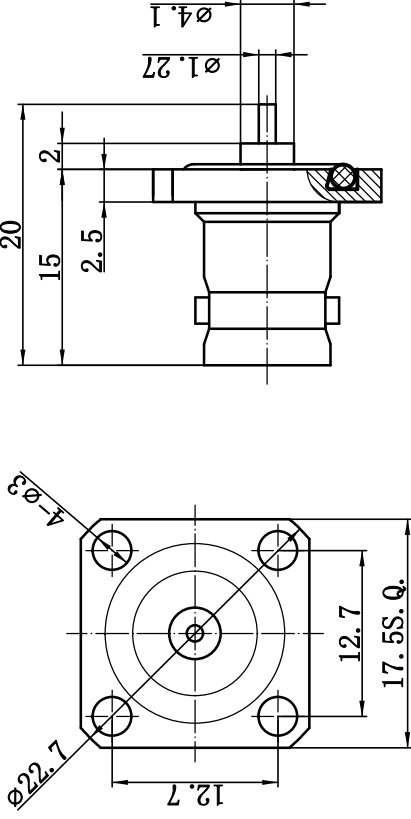


This document contains proprietary information and such information may not be disclosed to others for any purposes, not used for sales/marketing/procurement purposes without written permission

- 1 Electrical
 - 1.1 Impedance 50 Ω
 - 1.2 Frequency DC~4GHz
 - 1.3 Dielectric withstanding voltage 1000V (volts RMS)
 - 1.4 Center contact resistance $\leq 3M\Omega$
 - 1.5 Outer contact resistance $\leq 2M\Omega$
 - 1.6 Insulation resistance: $\geq 5000M\Omega$
 - 1.7 VSWR 1.20:0
- 2 Environmental&Mechanical
 - 2.1 Temperature range -45 $^{\circ}C$ ~155 $^{\circ}C$
 - 2.2 RoHS Compliant
 - 2.3 Durability >500 cycles
- 3 Materials&plating
 - 3.1 Body: Brass, Nickel plated
 - 3.2 Insulator: Teflon
 - 3.3 Contact Pin: Phosphor Bronze, Gold plated



REV	DESCRIPTION OF REVISION	ECN NO.	BY	DATE	APPROVED
A	Initial Release		T. Shihua	02/08/13	02/08/13

Notes:

1. ALL SPECIFICATIONS ARE SUBJECT TO CHANGE NOTICE AT ANY TIME
2. CUSTOMER OUTLINE DRAWING FOR REFERENCE ONLY

DRAWN: T. Shihua 02/08/13 ENGINEER: C. Tao 02/08/13 APPROVED: W. Qiang 02/08/13 TOLERANCES UNLESS OTHERWISE SPECIFIED X ± 0.50 .X ± 0.20 .XX ± 0.10 ANGLES $\pm 1^{\circ}$	TITLE: RF Coaxial Connector BNC Female Flange Conn. Terminal	 www.rf-connector-china.com DIMENSION IN MILLIMETERS (mm)
PART NO: BNC-RF2M SIZE: A4 SCALE: N/A SHEET: 1/1 REV: A		