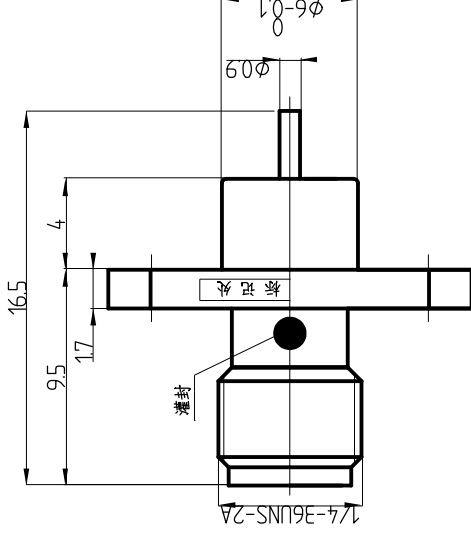
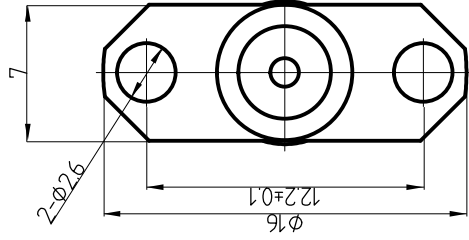


This document contains proprietary information and such information may not be disclosed to others for any purposes, not used for sales/marketing/procurement purposes without written permission



1 电气性能

- 1.1 特性阻抗 50 Ω
- 1.2 频率 DC~6GHz
- 1.3 介质耐压 1000V
- 1.4 中心导体电阻 $\leq 3\text{M}\Omega$
- 1.5 外导体电阻 $\leq 2\text{M}\Omega$
- 1.6 绝缘电阻 $\geq 5000\text{M}\Omega$
- 1.7 VSWR ≤ 1.2

2 材料及涂覆

- 2.1 外壳: 黄铜, 镀金
- 2.2 绝缘子: teflon
- 2.3 内导体: 锡青铜, 镀金

Notes:

- 1 ALL SPECIFICATIONS ARE SUBJECT TO CHANGE NOTICE AT ANY TIME
- 2 CUSTOMER OUTLINE DRAWING FOR REFERENCE ONLY

3

2

1

REV	DESCRIPTION OF REVISION	EGN NO.	BY	DATE	APPROVED
A	Initial Release		Thayn	07/04/16	07/04/16

DRAWN: Thayn 07/04/16

ENGINEER: C Tao 07/04/16

APPROVER: Wang 07/04/16

TOLERANCES UNLESS OTHERWISE SPECIFIED

X .050
X .020
XX .010
ANGLES .4°

TITLE:

RF Coaxial Connector

SMA Female Flange Connector Mount

PART NO: SMA-KTFD19B

SIZE: A4

SCALE: N/A

SHEET: 1/1

REV: A



www.dfd.com



DIMENSION IN MILLIMETERS (mm)