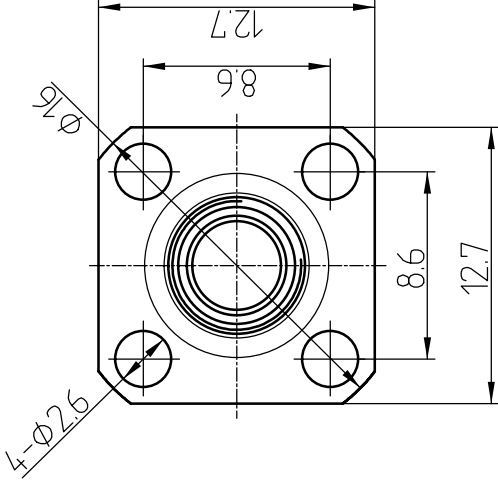
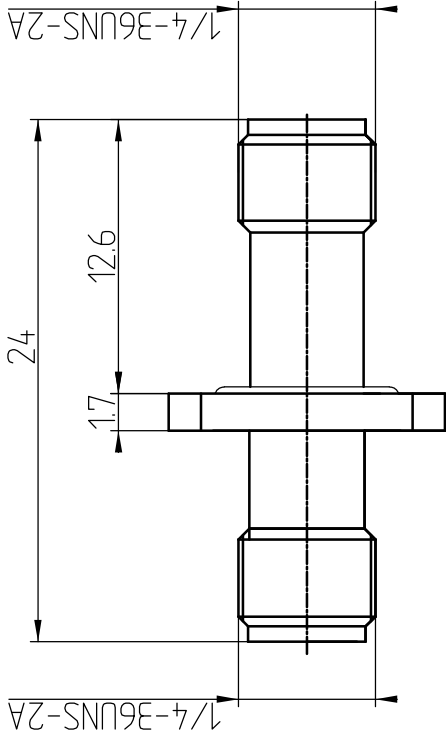


This document contains proprietary information and such information may not be disclosed to others for any purposes, not used for sales/marketing/procurement purposes without written permission



1 Electrical data

- 1.1 Impedance: $50\ \Omega$
- 1.2 Frequency: DC-6GHz
- 1.3 VSWR 1:20:1

2 Mechanical data

- 2.1 Temperature range $-45^{\circ}\text{C} \sim +125^{\circ}\text{C}$
- 2.2 Durability(matings) >500

3 Material&Finish

- 3.1 Pin contact: Beryllium-copper, Silver plated
- 3.2 Body: Brass,SuCo-plated
- 3.3 Insulators: PTFE

Notes:

- 1. ALL SPECIFICATIONS ARE SUBJECT TO CHANGE NOTICE AT ANY TIME
- 2. CUSTOMER OUTLINE DRAWING FOR REFERENCE ONLY

REV	DESCRIPTION OF REVISION	ECN NO.	BY	DATE	APPROVED
A	Initial Release		T. Shihua	16/6/15	16/6/15

DRAWN: T. Shihua 16/6/15		TITLE: RF Adaptor		www.terujiai.com	
ENGINEER: C. Tao 16/6/15		SMA Female to Female Flange Adaptor		DIMENSION IN MILLIMETERS (mm)	
APPROVED: W. Qiang 16/6/15		PART NO: SMA-RFMA		SCALE: N/A	
TOLERANCES UNLESS OTHERWISE SPECIFIED		SIZE: A4		SHEET: 1/1	
X	+0.50	ANGLES		REV: A	
.X	+0.20				
.XX	+0.10				
	*F				

