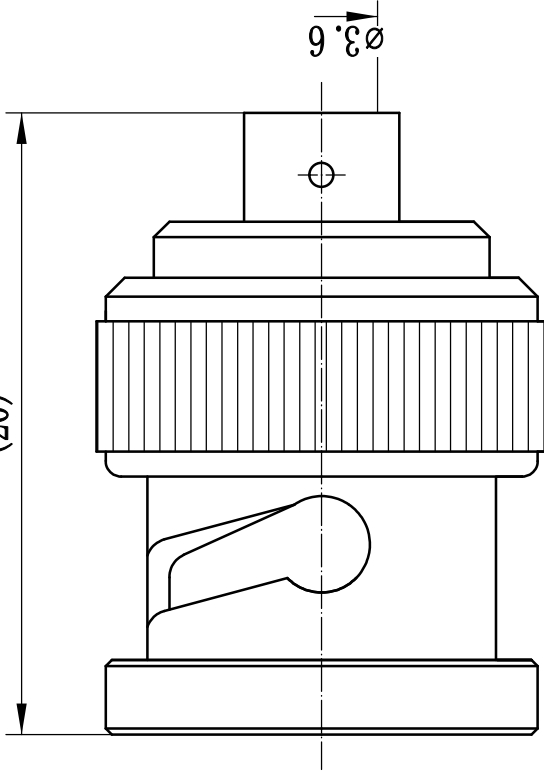


This document contains proprietary information and such information may not be disclosed to others for any purposes, not used for sales/marketing/procurement purposes without written permission

(20)



- 1 Electrical
  - 1.1 Impedance 50  $\Omega$
  - 1.2 Frequency DC-4GHz
  - 1.3 Dielectric withstanding voltage 1000V(volts RMS)
  - 1.4 Center contact resistance  $\leq 3M\Omega$
  - 1.5 Outer contact resistance  $\leq 2M\Omega$
  - 1.6 Insulation resistance:  $\geq 5000M\Omega$
- 2 Environmental & Mechanical
  - 2.1 Temperature range -45 $^{\circ}$ C ~ 85 $^{\circ}$ C
  - 2.2 RoHS Compliant
  - 2.3 Durability >500 cycles

- 3 Materials & plating
  - 3.1 Body: Brass, Nickel plated
  - 3.2 Insulator: Teflon
  - 3.3 Contact Pin: Brass, Gold plated

REV	DESCRIPTION OF REVISION	BY	DATE	APPROVED
A	Initial Release	T. Shihua	18/08/13	18/08/13

Notes:

1. ALL SPECIFICATIONS ARE SUBJECT TO CHANGE NOTICE AT ANY TIME
2. CUSTOMER OUTLINE DRAWING FOR REFERENCE ONLY

DRAWN: T. Shihua 18/08/13
ENGINEER: C. Tao 18/08/13
APPROVED: H. Qiang 18/08/13
TOLERANCES UNLESS OTHERWISE SPECIFIED
X ±0.50
.X ±0.20
.XX ±0.10
ANGLES ±1 $^{\circ}$

TITLE:  
RF Coaxial Connector  
BNC Male Conn. for 141 Cable



www.terulai.com



DIMENSION IN MILLIMETERS (mm)

PART NO: BNC-JB3	SCALE: N/A	SHEET: 1/1	REV: A
------------------	------------	------------	--------